

PARTS BOOK

# LB10 CNC LATHE

with OSP 5000L

Publication No.: 2366-E  
(March 1984)





## PARTS BOOK

This parts list has been prepared to assist you in ordering replacements and servicing parts for Okuma LB10 CNC Lathe.

Due to constant improvements in design, you may find slight variations from the machine delivered to you. This merely indicates that mechanism has been improved to better meet your requirements.

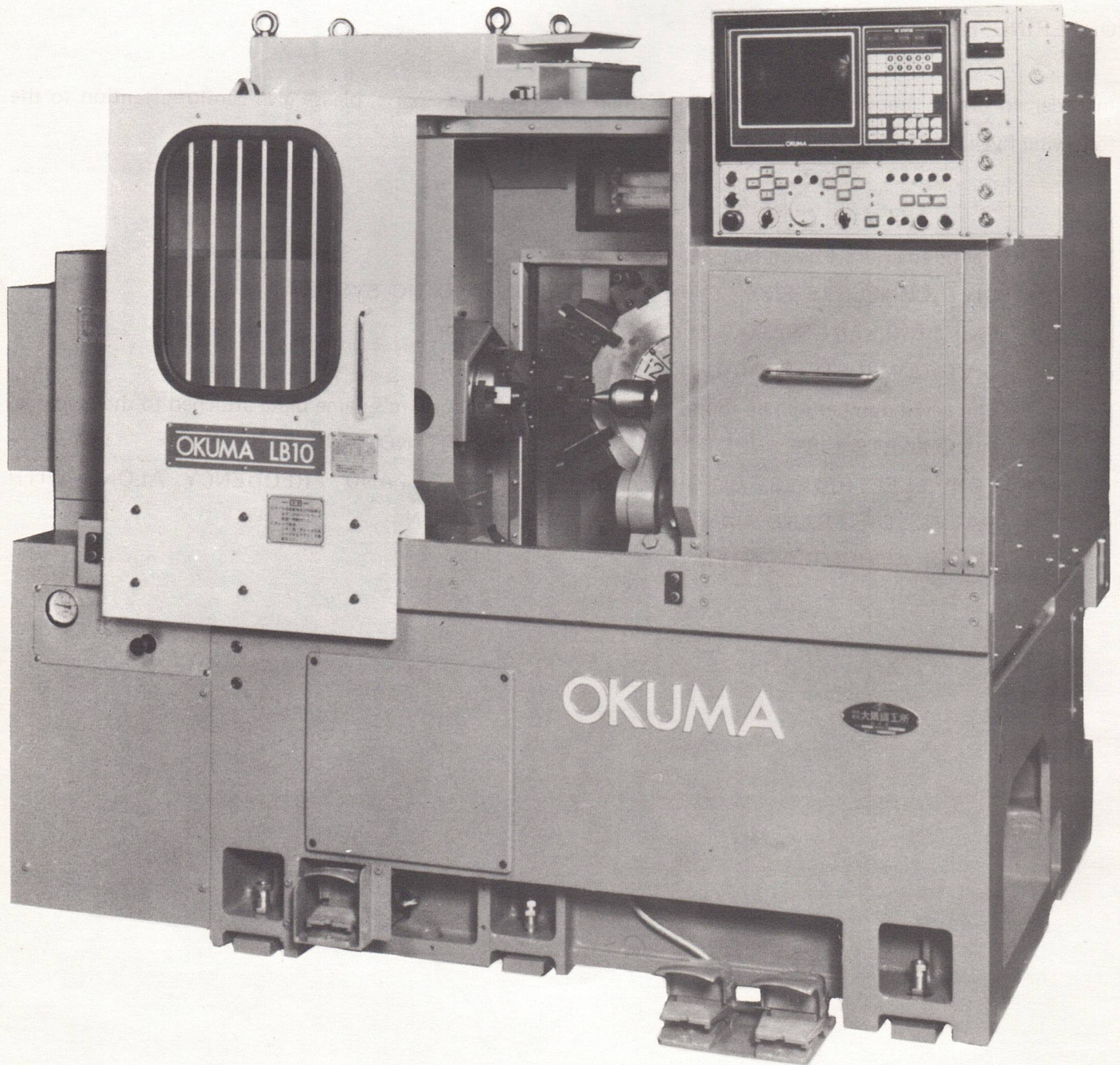
### ORDERING REPAIR PARTS

In order to obtain smooth and rapid service when ordering repair parts, please give careful attention to the following five instructions.

These FIVE requirements are essential:

1. GIVE COMPLETE SIZE, TYPE OF MACHINE AND NC SYSTEM.  
EX.: LB10 with OSP 5000L & VAC 7.5 kW main motor
2. GIVE COMPLETE SERIAL NUMBER OF MACHINE.  
This serial number will be found stamped on the Manufacture's name plate attached to the machine.
3. GIVE PARTS LIST SHEET NO., INDEX NO., PART NO. AND PART NAME.
4. FOR ELECTRICALS, SPECIFY POWER VOLTAGE AND FREQUENCY ALONG WITH RATING OR BRAND NAME, OTHER INFORMATION.
5. STATE AMOUNT WANTED.





Okuma Model LB10 CNC Lathe with OSP 5000L



# LB10 CNC LATHE

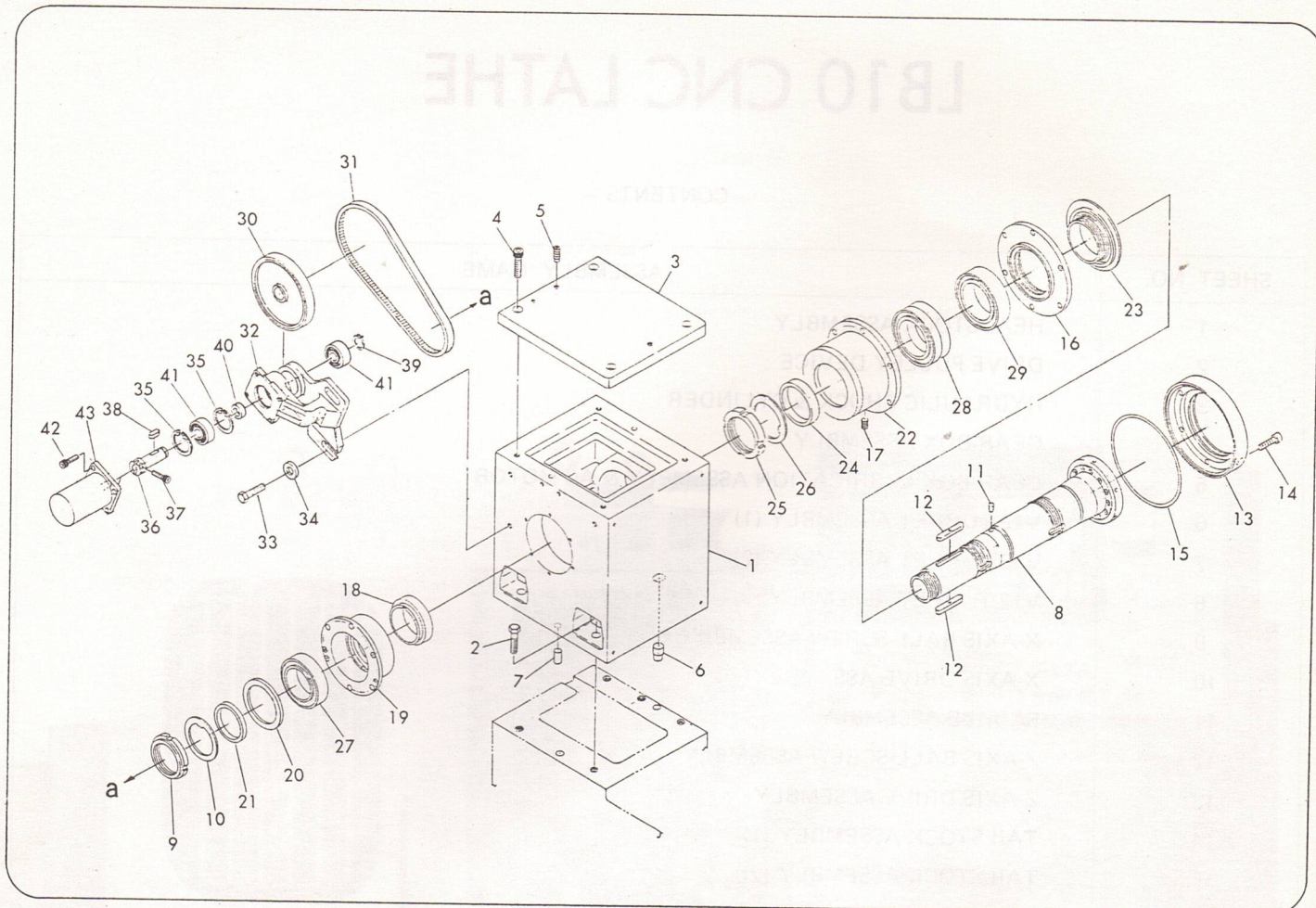
— CONTENTS —

| SHEET NO. | ASSEMBLY NAME                            |
|-----------|--|
| 1         | HEADSTOCK ASSEMBLY                       |
| 2         | DRIVE PULLEY DEVICE                      |
| 3         | HYDRAULIC CHUCK & CYLINDER               |
| 4         | GEAR-BOX ASSEMBLY                        |
| 5         | GEAR-BOX LUBRICATION ASSEMBLY & AC MOTOR |
| 6         | V12 TURRET ASSEMBLY (1)                  |
| 7         | V12 TURRET ASSEMBLY (2)                  |
| 8         | V12 TURRET ASSEMBLY (3)                  |
| 9         | X-AXIS BALL-SCREW ASSEMBLY               |
| 10        | X-AXIS DRIVE ASSEMBLY                    |
| 11        | SADDLE ASSEMBLY                          |
| 12        | Z-AXIS BALL-SCREW ASSEMBLY               |
| 13        | Z-AXIS DRIVE ASSEMBLY                    |
| 14        | TAILSTOCK ASSEMBLY (1)                   |
| 15        | TAILSTOCK ASSEMBLY (2)                   |
| 16        | TAILSTOCK CONTROL VALVE                  |
| 17        | HYDRAULIC UNIT & LUBE PUMP               |
| 18        | COVER (1)                                |
| 19        | COVER (2)                                |
| 20        | COVER (3)                                |
| 21        | COOLANT & CHIP CONVEYOR                  |
| 22        | OPERATION PANEL                          |
| 23        | TOOL HOLDERS                             |
| 24        | CHUCK & TAILSTOCK PEDALS                 |
| 25        | STANDARD ACCESSORIES                     |



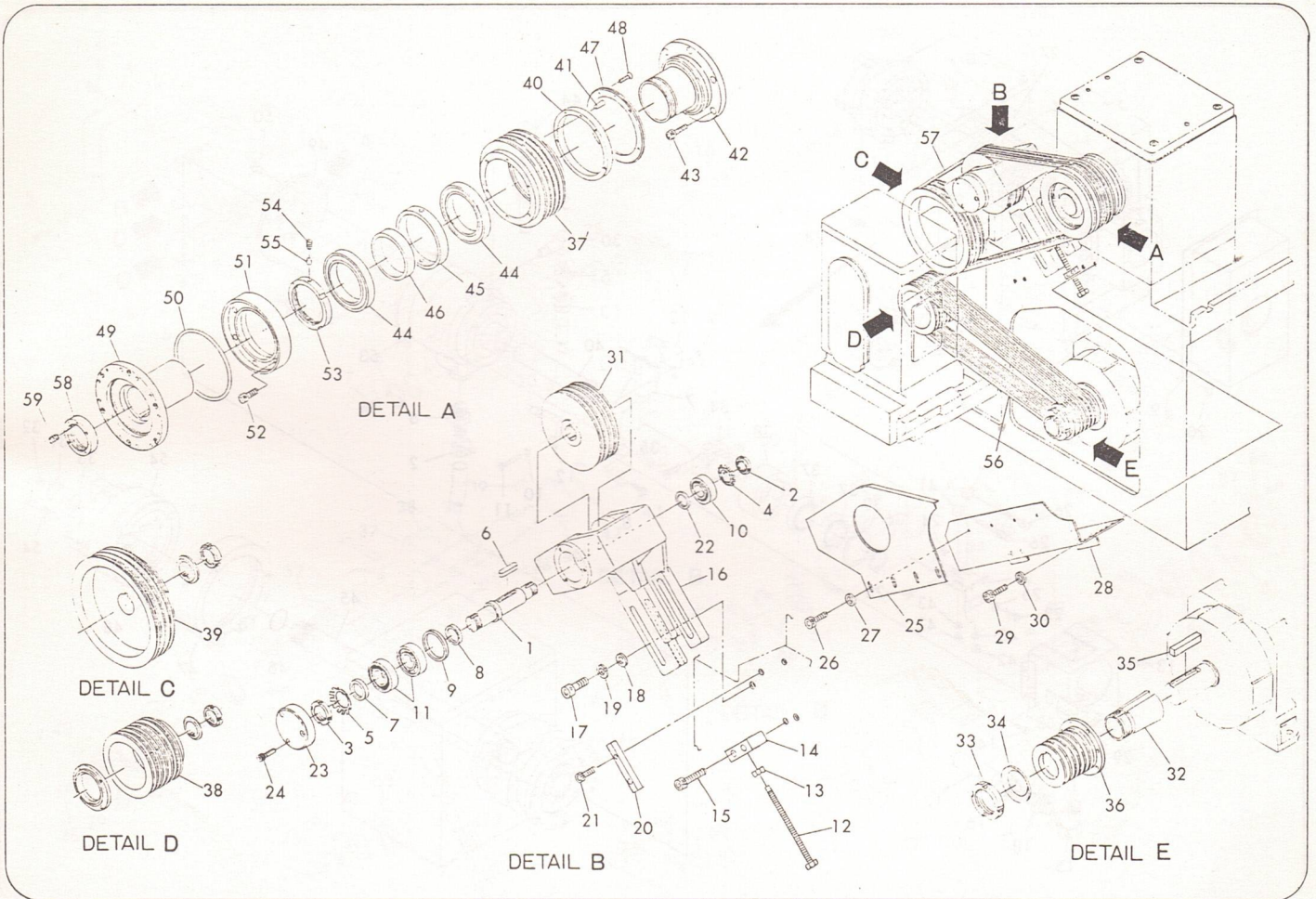
PARTS BOOK

LB10 CNC LATHE



| INDEX NO. | PART NO.      | DESCRIPTION                      | UNIT NO.  | QTY | INDEX NO. | PART NO.      | DESCRIPTION                     | UNIT NO.  | QTY |
|-----------|---------------|----------------------------------|-----------|-----|-----------|---------------|---------------------------------|-----------|-----|
| -1        | 112-0100-01-1 | HEAD STOCK                       | A112-0010 | 1   | -39       | C5180-000200  | SNAP-RING,20                    | A112-0010 | 1   |
| -2        | C5010-160451  | BOLT,socket-head, 18×45          | A112-0010 | 5   | -40       | D548G-020100  | COLLAR                          | A112-0010 | 1   |
| -3        | 112-0100-02-1 | COVER                            | A112-0010 | 1   | -41       | M000-6204ZZP6 | BEARING,6204ZZP6,<br>M20×47×14  | A112-0010 | 2   |
| -4        | C5010-120301  | BOLT,socket-head, 12×30          | A112-0010 | 4   | -42       |               | BOLT,socket-head                |           | 4   |
| -5        | C5035-012201  | SET-SCREW,12×20                  | A112-0010 | 2   | -43       |               | SUMTAK OPTCODER<br>LF-1024N-80N |           | 1   |
| -6        | 112-0100-03   | PIN                              | A112-0010 | 1   |           |               |                                 |           |     |
| -7        | 112-0100-04-1 | PIN                              | A112-0010 | 1   |           |               |                                 |           |     |
| -8        | 112-0111-01-2 | MAIN SHAFT                       | A112-0010 | 1   |           |               |                                 |           |     |
| -9        | C5131-000701  | CASTLE NUT,M70                   | A112-0010 | 1   |           |               |                                 |           |     |
| -10       | C5153-000700  | LOCK WASHER,70                   | A112-0010 | 1   |           |               |                                 |           |     |
| -11       | D5201-005080  | PIN,straight, 5×8                | A112-0010 | 1   |           |               |                                 |           |     |
| -12       | D5175-120801  | KEY                              | A112-0010 | 2   |           |               |                                 |           |     |
| -13       | 112-0110-02-3 | COVER                            | A112-0010 | 1   |           |               |                                 |           |     |
| -14       | C5010-080401  | BOLT,socket-head, 8×40           | A112-0010 | 6   |           |               |                                 |           |     |
| -15       | D6101-206500  | RUBBER BELT, 2×650               | A112-0010 | 1   |           |               |                                 |           |     |
| -16       | 112-0110-04-1 | LABYRINTH                        | A112-0010 | 1   |           |               |                                 |           |     |
| -17       | D5250-040060  | SET-SCREW                        | A112-0010 | 1   |           |               |                                 |           |     |
| -18       | 112-0110-06-3 | COLLAR                           | A112-0010 | 1   |           |               |                                 |           |     |
| -19       | 112-0110-07-2 | HOUSING                          | A112-0010 | 1   |           |               |                                 |           |     |
| -20       | 112-0110-08   | COLLAR                           | A112-0010 | 1   |           |               |                                 |           |     |
| -21       | 112-0110-09   | COLLAR                           | A112-0010 | 1   |           |               |                                 |           |     |
| -22       | 112-0111-02-2 | HOUSING                          | A112-0010 | 1   |           |               |                                 |           |     |
| -23       | 112-0111-03-1 | LABYRINTH                        | A112-0010 | 1   |           |               |                                 |           |     |
| -24       | 117-0110-06-1 | COLLAR                           | A112-0010 | 1   |           |               |                                 |           |     |
| -25       | C5131-000801  | CASTLE NUT,M80                   | A112-0019 | 1   |           |               |                                 |           |     |
| -26       | C5153-000800  | LOCK WASHER,80                   | A112-0019 | 1   |           |               |                                 |           |     |
| -27       | M009-0011-75  | BEARING,<br>NTN NN3014L1XKC1NAP4 | A112-0010 | 1   |           |               |                                 |           |     |
| -28       | M009-0012-03  | BEARING<br>NTN HSA018DB/GMP4L    | A112-0010 | 1   |           |               |                                 |           |     |
| -29       | M009-0012-04  | BEARING<br>NTN NN3016L1XKC1NAP4  | A112-0010 | 1   |           |               |                                 |           |     |
| -30       | H1019-1003-88 | PULLEY,50L050B                   | A112-0010 | 1   |           |               |                                 |           |     |
| -31       | M1131-05390   | BELT,390L050                     | A112-0010 | 1   |           |               |                                 |           |     |
| -32       | 112-0120-01-2 | BRACKET                          | A112-0010 | 1   |           |               |                                 |           |     |
| -33       | C5000-120301  | BOLT, 12×30                      | A112-0010 | 2   |           |               |                                 |           |     |
| -34       | C5150-000121  | WASHER,12                        | A112-0010 | 2   |           |               |                                 |           |     |
| -35       | C5181-000470  | SNAP-RING,47                     | A112-0010 | 2   |           |               |                                 |           |     |
| -36       | 118-1380-02-2 | SHAFT                            | A112-0010 | 1   |           |               |                                 |           |     |
| -37       | C5010-050141  | BOLT,socket-head,5×14            | A112-0010 | 2   |           |               |                                 |           |     |
| -38       | C5170-050150  | KEY, 5×5 ×15                     | A112-0010 | 1   |           |               |                                 |           |     |

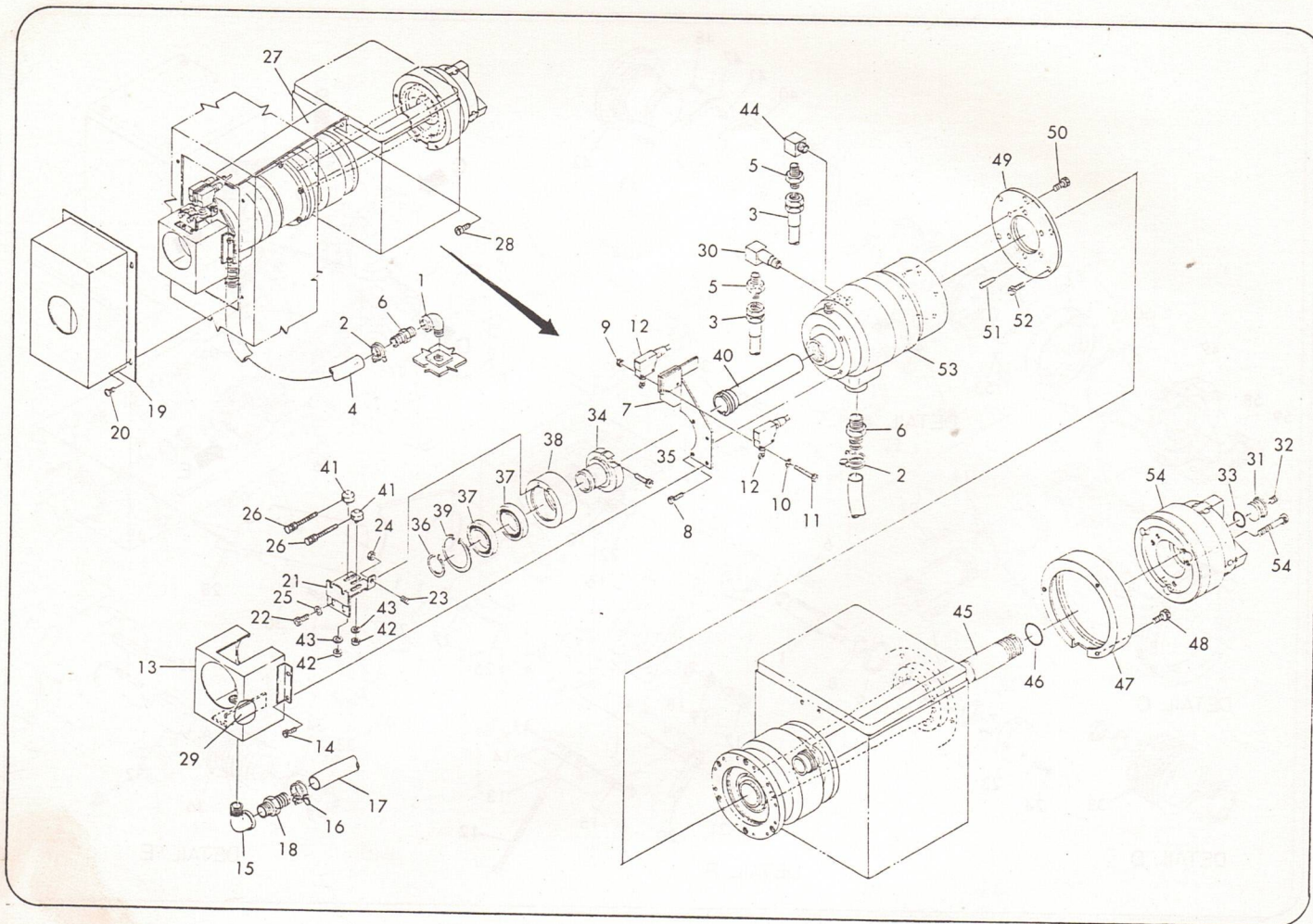




| INDEX NO. | PART NO.       | DESCRIPTION                  | UNIT NO.  | QTY |
|-----------|----------------|------------------------------|-----------|-----|
| -1        | 112-0130-04    | SHAFT                        | A112-0022 | 1   |
| -2        | C5132-000251   | NUT, bearing, 25             | A112-0022 | 1   |
| -3        | C5132-000301   | NUT, bearing, 30             | A112-0022 | 1   |
| -4        | C5152-000250   | WASHER, lock, 25             | A112-0022 | 1   |
| -5        | C5152-000300   | WASHER, lock, 30             | A112-0022 | 1   |
| -6        | C5170-070500   | KEY, feather, 7×7 ×50        | A112-0022 | 1   |
| -7        | D5420-304350   | COLLAR, bearing, 30×43×5     | A112-0022 | 1   |
| -8        | D5480-030050   | COLLAR, distance             | A112-0022 | 1   |
| -9        | D5485-062050   | COLLAR, distance             | A112-0022 | 1   |
| -10       | M000-6205ZZP6  | BEARING, 6205ZZP6, M25×52×15 | A112-0022 | 1   |
| -11       | M000-06206ZZP6 | BEARING, 6206ZZP6, M30×62×16 | A112-0022 | 2   |
| -12       | 112-0130-05-1  | BOLT                         | A112-0022 | 1   |
| -13       | C5100-000121   | NUT, hex. #3, 12             | A112-0022 | 1   |
| -14       | 112-0130-06    | SUPPORT                      | A112-0022 | 1   |
| -15       | C5010-080351   | BOLT, socket-head, 8×35      | A112-0022 | 2   |
| -16       | 112-0130-12    | BRACKET                      | A112-0022 | 1   |
| -17       | C5010-120451   | BOLT, socket-head, 12×45     | A112-0022 | 2   |
| -18       | C5150-000121   | WASHER, 12                   | A112-0022 | 2   |
| -19       | C5160-000121   | WASHER, spring, 12           | A112-0022 | 2   |
| -20       | 112-0130-13    | KEY                          | A112-0022 | 1   |
| -21       | C5010-060161   | BOLT, socket-head, 6×16      | A112-0022 | 2   |
| -22       | 118-0300-06-1  | COLLAR                       | A112-0022 | 2   |
| -23       | 118-0300-08-1  | COVER, round                 | A112-0022 | 1   |
| -24       | C5010-050251   | BOLT, socket-head, 5×25      | A112-0022 | 3   |
| -25       | 112-0130-16-1  | COVER                        | A112-0019 | 1   |
| -26       | C5101-050081   | BOLT, socket-head, 5×8       | A112-0019 | 4   |
| -27       | C5140-000051   | WASHER, polished, 5          | A112-0019 | 4   |
| -28       | 112-0130-17    | SUPPORT                      | A112-0019 | 1   |
| -29       | C5010-060101   | BOLT, socket-head, 6×10      | A112-0019 | 4   |
| -30       | C5150-000061   | WASHER, 8                    | A112-0019 | 4   |
| -31       | 112-0130-18    | PULLEY                       | A112-0019 | 1   |
| -32       | 112-0150-14    | SLEEVE                       | A112-0019 | 1   |
| -33       | C5132-000601   | NUT, bearing, 60             | A112-0019 | 1   |
| -34       | C5152-000600   | WASHER, lock, 60             | A112-0019 | 1   |
| -35       | 112-0150-15    | KEY                          | A112-0019 | 1   |
| -36       | 112-0150-16-1  | PULLEY                       | A112-0019 | 1   |
| -37       | 112-0161-10-2  | PULLEY                       | A112-0019 | 1   |
| -38       | 112-3103-03    | PULLEY                       | A112-0019 | 1   |

| INDEX NO. | PART NO.      | DESCRIPTION                 | UNIT NO.  | QTY |
|-----------|---------------|-----------------------------|-----------|-----|
| -39       | 112-3103-04-1 | PULLEY                      | A112-0019 | 1   |
| -40       | H1019-1003-92 | PULLEY                      | A112-0019 | 1   |
| -41       | C5200-040200  | TP                          | A112-0019 | 1   |
| -42       | 112-0161-01   | FLANGE                      | A112-0019 | 1   |
| -43       | C5010-080301  | BOLT, socket-head, 8×30     | A112-0019 | 6   |
| -44       | M009-0011-14  | BEARING, NTN HSA918CDB/GNP4 | A112-0019 | 1   |
| -45       | 112-0161-04-1 | COLLAR                      | A112-0019 | 1   |
| -46       | 112-0161-05   | COLLAR                      | A112-0019 | 1   |
| -47       | 112-0161-07   | FLANGE                      | A112-0019 | 1   |
| -48       | C5050-004251  | SCREW, flat-head, 4×25      | A112-0019 | 5   |
| -49       | 112-0161-20-1 | GEAR                        | A112-0019 | 1   |
| -50       | D6110-00G145  | O-RING, 3.1×144.4           | A112-0019 | 1   |
| -51       | 112-0161-21   | FLANGE                      | A112-0019 | 1   |
| -52       | C5010-060201  | BOLT, socket-head, 6×20     | A112-0019 | 6   |
| -53       | 118-1180-21   | NUT                         | A112-0019 | 1   |
| -54       | C5034-006061  | SET-SCREW, 6×6              | A112-0019 | 1   |
| -55       | D5800-004030  | BLOCK                       | A112-0019 | 1   |
| -56       | M119-0007-59  | BELT, BANDO 6-11MS1220      | A112-0019 | 1   |
| -57       | M119-0007-60  | BELT, BANDO 4-11MS1950      | A112-0019 | 1   |
| -58       | 118-1180-20   | NUT                         | A112-0010 | 1   |
| -59       | C5031-006161  | SET-SCREW, 6×16             | A112-0010 | 1   |

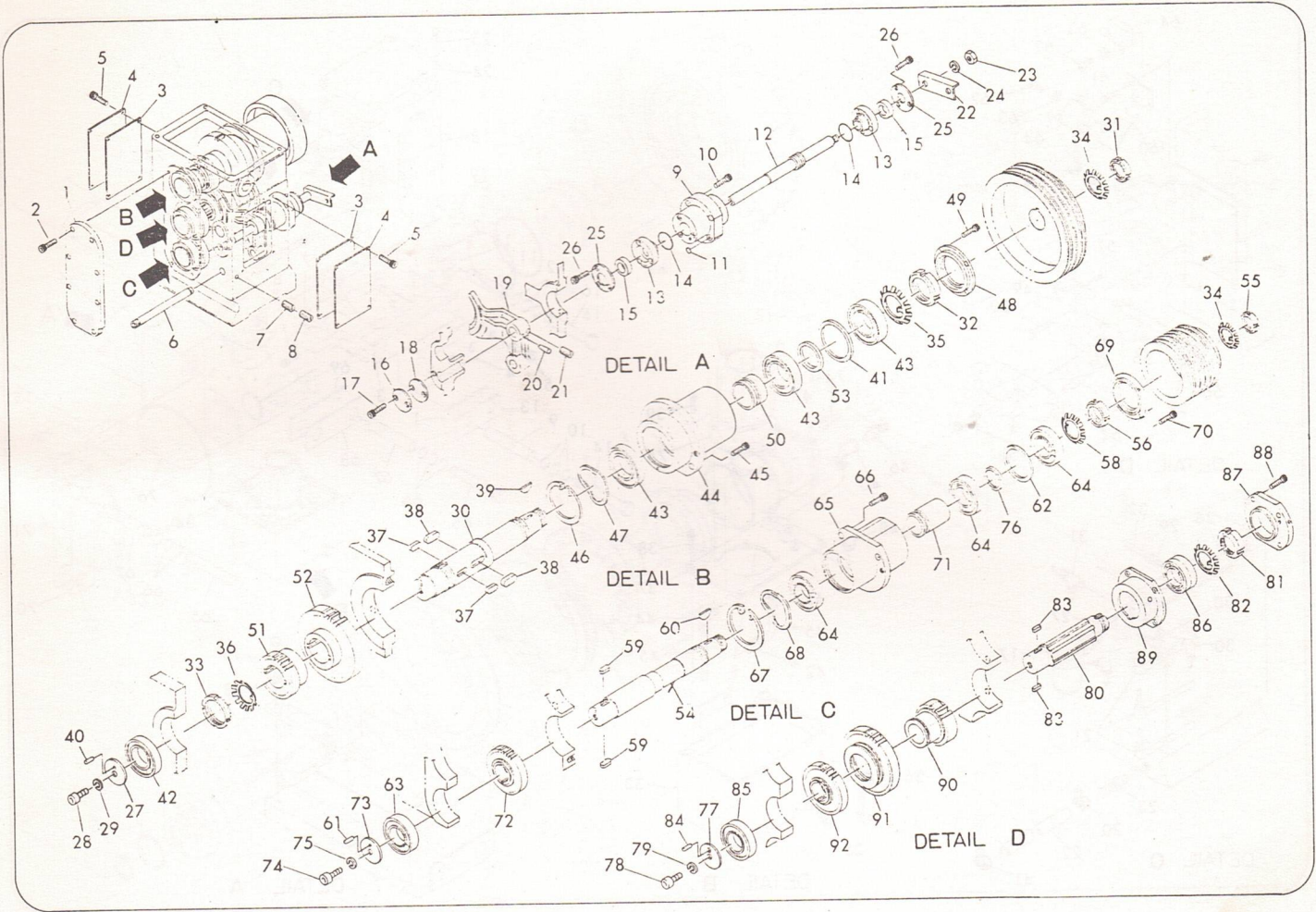




| INDEX NO. | PART NO.      | DESCRIPTION                     | UNIT NO.  | QTY |
|-----------|---------------|---------------------------------|-----------|-----|
| -1        | C7812-000442  | ELBOW,street,3/4                | A112-5200 | 1   |
| -2        | D2785-000351  | Clamp,wire,35 AK-1035           | A112-5200 | 2   |
| -3        | D2792-120902  | HOSE,70K, 12×900                | A112-5200 | 2   |
| -4        | D7793-252000  | HOSE, 25×2000                   | A112-5200 | 1   |
| -5        | D7870-010032  | NIPPLE, 1/2                     | A112-5200 | 2   |
| -6        | D7872-002542  | JOINT,hose,3/4                  | A112-5200 | 2   |
| -7        | 112-6120-04   | SUPPORT                         | A112-5200 | 1   |
| -8        | C5010-060161  | BOLT,socket-head,6×16           | A112-5200 | 2   |
| -9        | C5110-000041  | NUT,hex.#4,4                    | A112-5200 | 2   |
| -10       | C5160-000041  | WASHER,spring                   | A112-5200 | 2   |
| -11       | D5010-040601  | BOLT,socket-head,4×60           | A112-5200 | 2   |
| -12       | E3019-397-060 | LIMIT-SWITCH,OMRON<br>SHL-D2255 | A112-5200 | 2   |
| -13       | 112-6120-05   | BOX                             | A112-5200 | 1   |
| -14       | C5010-060101  | BOLT,socket-head                | A112-5200 | 2   |
| -15       | C7812-000442  | ELBOW,street,3/4                | A112-5200 | 1   |
| -16       | D2785-000351  | CLAMP,wire,35 AK-1035           | A112-5200 | 1   |
| -17       | D7793-252000  | HOSE, 25×2000                   | A112-5200 | 1   |
| -18       | D7872-002542  | JOINT,hose,3/4                  | A112-5200 | 1   |
| -19       | 112-6120-06-1 | COVER                           | A112-5200 | 1   |
| -20       | C5040-006081  | SCREW,pan-head,6×8              | A112-5200 | 4   |
| -21       | 112-6120-07-1 | SUPPORT                         | A112-5200 | 1   |
| -22       | C5010-060161  | BOLT,socket-head,6×16           | A112-5200 | 2   |
| -23       | C5031-008351  | SET-SCREW, 8×35                 | A112-5200 | 1   |
| -24       | C5100-000081  | NUT,hex.#3,8                    | A112-5200 | 1   |
| -25       | C5140-000061  | WASHER,polished,6               | A112-5200 | 2   |
| -26       | 112-6120-08   | BOLT                            | A112-5200 | 2   |
| -27       | 112-6120-09   | SUPPORT                         | A112-5200 | 1   |
| -28       | C5010-080161  | BOLT,socket-head,8×16           | A112-5200 | 2   |
| -29       | 112-6120-10   | FILTER                          | A112-5200 | 1   |
| -30       | 112-6120-25   | JOINT                           | A112-5200 | 1   |
| -31       | 112-6120-42   | COVER                           | A112-5200 | 1   |
| -32       | C5030-006101  | SET-SCREW, 6×10                 | A112-5200 | 1   |
| -33       | D6110-000P26  | O-RING,3.5×25.7                 | A112-5200 | 1   |
| -34       | 117-6111-62-3 | RING                            | A112-5200 | 1   |
| -35       | C5010-080351  | BOLT,socket-head,8×35           | A112-5200 | 2   |
| -36       | C5180-000450  | SNAP-RING,45                    | A112-5200 | 1   |
| -37       | W000-6009ZZ   | BEARING,6009ZZ<br>M45×75×16     | A112-5200 | 2   |
| -38       | 117-6111-63-1 | RING                            | A112-5200 | 1   |
| -39       | C5181-000750  | SNAP-RING,75                    | A112-5200 | 1   |

| INDEX NO. | PART NO.        | DESCRIPTION                    | UNIT NO.  | QTY |
|-----------|-----------------|--------------------------------|-----------|-----|
| -40       | 117-6115-09     | SLEEVE                         | A112-5200 | 1   |
| -41       | 137-8111-44     | DOG                            | A112-5200 | 2   |
| -42       | C5110-000051    | NUT,hex.#4,5                   | A112-5200 | 2   |
| -43       | C5140-000051    | WASHER,polished                | A112-5200 | 2   |
| -44       | 450-2350-09     | JOINT                          | A112-5200 | 1   |
| -45       | 112-6120-44     | PIPE                           | A112-5011 | 1   |
| -46       | D6110-000G35    | O-RING,3.1×34.4                | A112-5011 | 1   |
| -47       | 112-6120-22-1   | RING                           | A112-5011 | 1   |
| -48       | C5010-060101    | BOLT,socket-head,6×10          | A112-5011 | 3   |
| -49       | 112-6120-46     | COVER                          | A112-5011 | 1   |
| -50       | C5010-100251    | BOLT,socket-head, 10×25        | A112-5011 | 6   |
| -51       | C0201-060321    | ITP, 6×32                      | A112-5011 | 2   |
| -52       | C5010-080251    | BOLT,socket-head,8×25          | A112-5011 | 6   |
| -53       |                 | CYLINDER,hydraulic,<br>F1236-1 |           | 1   |
| -54       | T009-200-003-09 | CHUCK,hydraulic,HOH-6-1B       | A112-5030 | 1   |

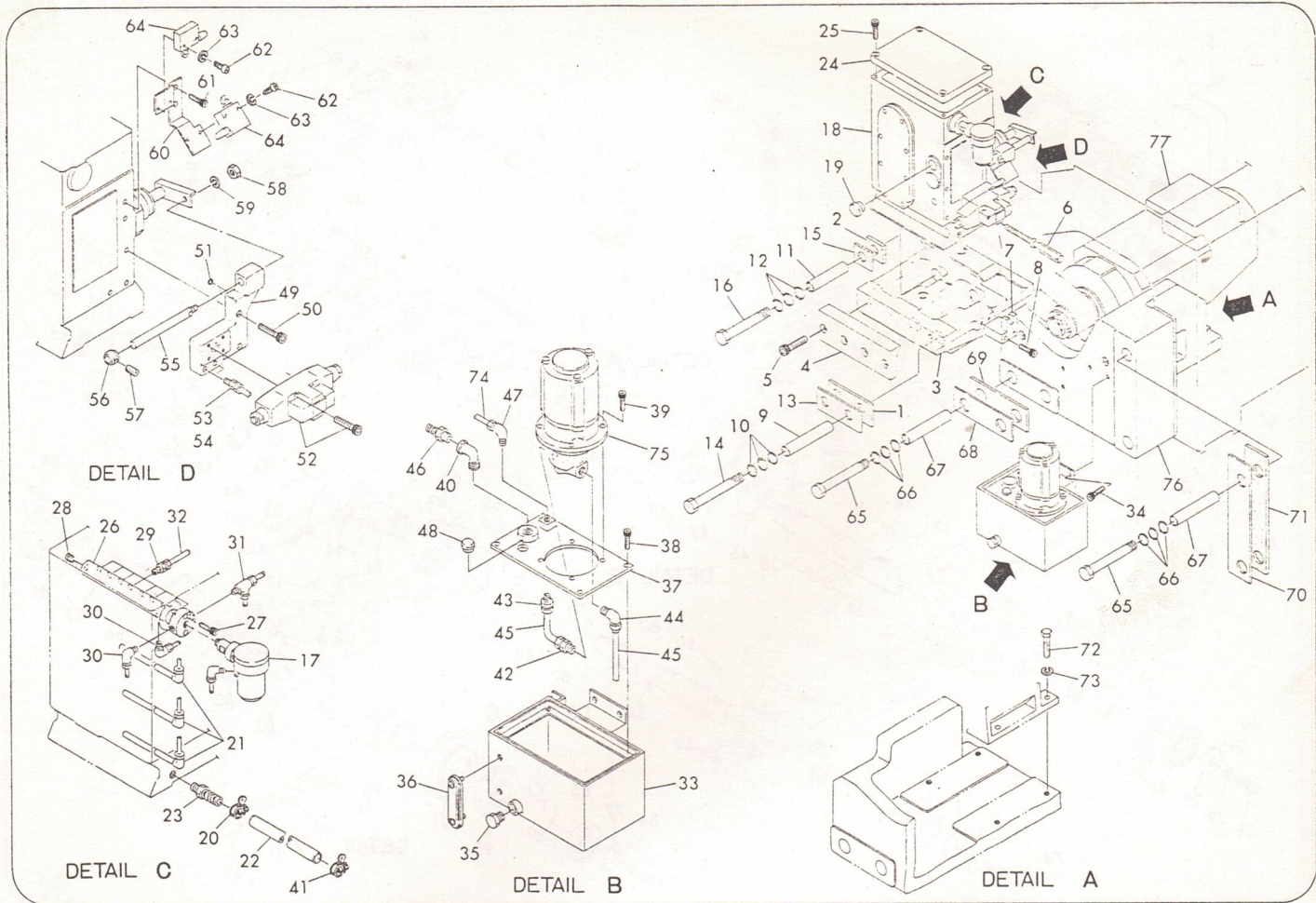




| INDEX NO. | PART NO.      | DESCRIPTION                             | UNIT NO.  | QTY |
|-----------|---------------|---|-----------|-----|
| -1        | 112-3100-15   | COVER                                   | A112-0020 | 1   |
| -2        | C5010-080201  | BOLT, socket-head, 5×20                 | A112-0020 | 8   |
| -3        | H1020-1054-33 | PACKING, 130×190 ×2                     | A112-0020 | 2   |
| -4        | 112-3100-14   | COVER                                   | A112-0020 | 2   |
| -5        | C5010-080141  | BOLT, socket-head, 8×14                 | A112-0020 | 1   |
| -6        | 112-3102-05   | SHAFT                                   | A112-0020 | 1   |
| -7        | C5030-008161  | SET-SCREW, 8×16                         | A112-0020 | 1   |
| -8        | C5030-008201  | SET-SCREW, 8×20                         | A112-0020 | 1   |
| -9        | 112-3102-02   | CILINDER                                | A112-0020 | 1   |
| -10       | C5010-080201  | BOLT, socket-head, 8×20                 | A112-0020 | 3   |
| -11       | D6110-0000P8  | O-RING, 1.9×7.8                         | A112-0020 | 1   |
| -12       | 112-3102-03-1 | SHAFT                                   | A112-0020 | 1   |
| -13       | 112-3102-04   | COVER                                   | A112-0020 | 2   |
| -14       | D6110-000G35  | O-RING, 3.1×34.4                        | A112-0020 | 2   |
| -15       | H0031-0005-52 | SEAL, dust, NOK FU0221FO<br>10120×33×10 | A112-0020 | 2   |
| -16       | 112-3102-06   | COVER                                   | A112-0020 | 1   |
| -17       | C5010-080121  | BOLT, socket-head, 8×12                 | A112-0020 | 2   |
| -18       | H1020-1054-34 | PACKING, M48×2                          | A112-0020 | 1   |
| -19       | 112-3102-01-1 | SHIFTER                                 | A112-0020 | 1   |
| -20       | C0201-080361  | ITP, 6×36                               | A112-0020 | 1   |
| -21       | C5030-008081  | SET-SCREW, 8×8                          | A112-0020 | 1   |
| -22       | 112-3102-10   | PLATE                                   | A112-0020 | 1   |
| -23       | C5110-000101  | NUT, hex, #4, 10                        | A112-0020 | 1   |
| -24       | C5160-000101  | WASHER, spring, 10                      | A112-0020 | 2   |
| -25       | 147-0113-11-2 | COVER                                   | A112-0020 | 6   |
| -26       | C5010-080301  | BOLT, socket-head, 6×30                 | A112-0020 | 1   |
| -27       | 112-3101-06   | WASHER                                  | A112-0020 | 1   |
| -28       | C5010-080201  | BOLT, socket-head, 8×20                 | A112-0020 | 1   |
| -29       | C5160-000081  | WASHER, 8                               | A112-0020 | 1   |
| -30       | 112-3101-14-1 | SHAFT                                   | A112-0020 | 1   |
| -31       | C5132-000381  | NUT, bearing, 38                        | A112-0020 | 1   |
| -32       | C5132-000501  | NUT, bearing, 50                        | A112-0020 | 1   |
| -33       | C5132-000551  | NUT, bearing, 55                        | A112-0020 | 1   |
| -34       | C5152-000380  | WASHER, lock, 38                        | A112-0020 | 1   |
| -35       | C5152-000500  | WASHER, lock, 50                        | A112-0020 | 1   |
| -36       | C5152-000550  | WASHER, lock, 55                        | A112-0020 | 2   |
| -37       | C5170-120301  | KEY, feather, 12×8 ×35                  | A112-0020 | 2   |
| -38       | C5170-150400  | KEY, feather, 15×10×40                  | A112-0020 | 2   |
| -39       | C5171-008320  | KEY, woodruff, 8×32                     | A112-0020 | 1   |
| -40       | C5201-004100  | PIN, straight, 4×10                     | A112-0020 | 1   |
| -41       | D5485-090050  | COLLAR, distance                        | A112-0020 | 1   |
| -42       | M000-6208P5   | BEARING, 6208P5<br>M45×85×19            | A112-0020 | 3   |
| -43       | M000-6210ZP5  | BEARING, NTN 6210ZP5                    | A112-0020 | 1   |
| -44       | 112-3101-15   | HOUSING                                 | A112-0020 | 3   |
| -45       | C5010-120301  | BOLT, socket-head, 12×30                | A112-0020 | 1   |
| -46       | C5181-000900  | SNAP-RING, 90                           | A112-0020 | 1   |

| INDEX NO. | PART NO.      | DESCRIPTION                  | UNIT NO.  | QTY |
|-----------|---------------|------------------------------|-----------|-----|
| -47       | H1004-0001-34 | WASHER, wave, IWATA          | A112-0020 | 1   |
| -48       | 112-3101-16   | COVER                        | A112-0020 | 4   |
| -49       | C5010-080141  | BOLT, socket-head, 8×14      | A112-0020 | 1   |
| -50       | 112-3101-17   | COLLAR                       | A112-0020 | 1   |
| -51       | 112-3101-18-2 | GEAR, Z46                    | A112-0020 | 1   |
| -52       | 112-3101-19   | GEAR, Z76                    | A112-0020 | 1   |
| -53       | 112-3101-22   | COLLAR, distance             | A112-0020 | 1   |
| -54       | 112-3101-01   | SHAFT                        | A112-0020 | 1   |
| -55       | C5132-000301  | NUT, bearing, 30             | A112-0020 | 1   |
| -56       | C5132-000401  | NUT, bearing, 40             | A112-0020 | 1   |
| -57       | C5152-000300  | WASHER, lock, 30             | A112-0020 | 1   |
| -58       | C5152-000400  | WASHER, lock, 40             | A112-0020 | 2   |
| -59       | C5170-100220  | KEY, feather, 10×8 ×22       | A112-0020 | 1   |
| -60       | C5171-008320  | KEY, woodruff, 8×32          | A112-0020 | 1   |
| -61       | C5201-004100  | PIN, straight, 4×10          | A112-0020 | 1   |
| -62       | D5485-080050  | COLLAR, distance             | A112-0020 | 1   |
| -63       | M000-6208P5   | BEARING, 6208P5<br>M40×80×18 | A112-0020 | 3   |
| -64       | M000-6208ZP5  | BEARING, 6208ZP5             | A112-0020 | 1   |
| -65       | 112-3101-02   | HOUSING                      | A112-0020 | 3   |
| -66       | C5010-120301  | BOLT, socket-head, 12×30     | A112-0020 | 1   |
| -67       | C5181-000800  | SNAP-RING, 80                | A112-0020 | 1   |
| -68       | H1004-0001-32 | WASHER, wave, IWATA BW11     | A112-0020 | 4   |
| -69       | 112-3101-03   | COVER                        | A112-0020 | 1   |
| -70       | C5010-080101  | BOLT, socket-head, 6×10      | A112-0020 | 1   |
| -71       | 112-3101-04   | COLLAR                       | A112-0020 | 1   |
| -72       | 112-3101-05   | GEAR, Z47                    | A112-0020 | 1   |
| -73       | 112-3101-06   | WASHER                       | A112-0020 | 1   |
| -74       | C5010-080201  | BOLT, socket-head, 8×20      | A112-0020 | 1   |
| -75       | C5160-000081  | WASHER, spring, 8            | A112-0020 | 1   |
| -76       | 112-3101-21   | COLLAR, distance             | A112-0020 | 1   |
| -77       | 112-3101-06   | WASHER                       | A112-0020 | 1   |
| -78       | C5010-080201  | BOLT, socket-head, 8×20      | A112-0020 | 1   |
| -79       | C5160-000081  | WASHER, spring, 8            | A112-0020 | 1   |
| -80       | 112-3101-08-1 | SHAFT                        | A112-0020 | 1   |
| -81       | C5132-000381  | NUT, bearing, 38             | A112-0020 | 2   |
| -82       | C5152-000380  | WASHER, lock, 38             | A112-0020 | 1   |
| -83       | C5170-070220  | KEY, feather, 7×7 ×22        | A112-0020 | 1   |
| -84       | C5201-004100  | PIN, straight, 4×10          | A112-0020 | 1   |
| -85       | M000-6208P5   | BEARING, 6208P5<br>M40×80×18 | A112-0020 | 1   |
| -86       | M000-7008CDB  | BEARING, NTN 7008CDB         | A112-0020 | 1   |
| -87       | 112-3101-09   | COVER                        | A112-0020 | 4   |
| -88       | C5010-080201  | BOLT, socket-head, 8×20      | A112-0020 | 1   |
| -89       | 112-3101-10   | HOUSING                      | A112-0020 | 1   |
| -90       | 112-3101-11   | GEAR, Z41                    | A112-0020 | 1   |
| -91       | 112-3101-12-2 | GEAR, Z71                    | A112-0020 | 1   |
| -92       | 112-3101-13-1 | GEAR, Z53                    | A112-0020 | 1   |

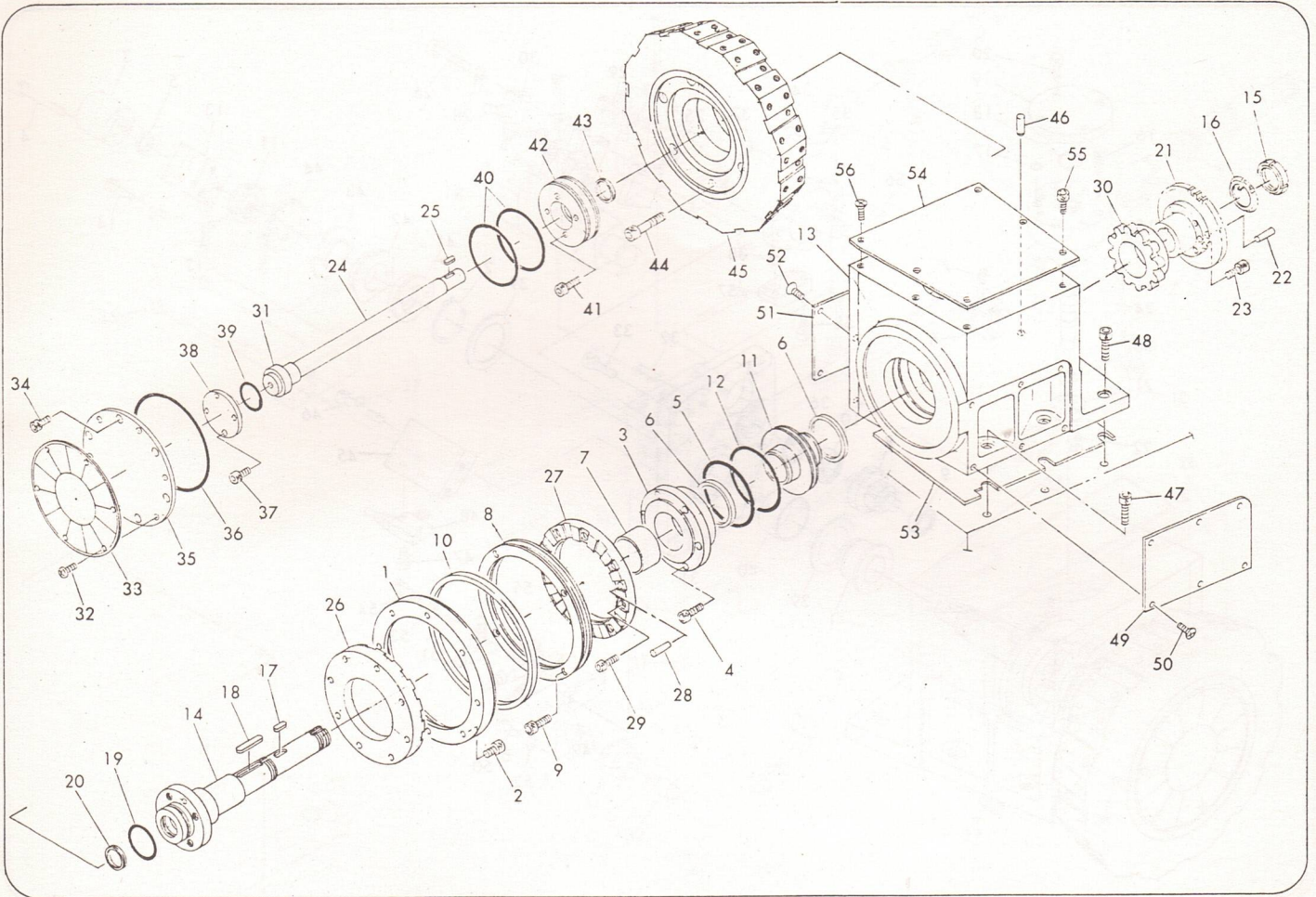




| INDEX NO. | PART NO.        | DESCRIPTION                | UNIT NO.  | QTY |
|-----------|-----------------|----------------------------|-----------|-----|
| -1        | H1022-1025-58   | RUBBER,needle, 70×170 ×10  | A112-0020 | 2   |
| -2        | H1022-1025-59-1 | RUBBER,needle              | A112-0020 | 4   |
| -3        | 112-3100-03-1   | BASE                       | A112-0020 | 1   |
| -4        | 112-3100-04     | PLATE                      | A112-0020 | 1   |
| -5        | C5010-180401    | BOLT,socket-head, 16×40    | A112-0020 | 4   |
| -6        | 112-3100-05     | BOLT                       | A112-0020 | 1   |
| -7        | 112-3100-06     | SUPPORT                    | A112-0020 | 1   |
| -8        | C5010-100851    | BOLT,socket-head, 10×85    | A112-0020 | 2   |
| -9        | 112-3100-07-1   | COLLAR                     | A112-0020 | 2   |
| -10       | D6110-000P30    | O-RING                     | A112-0020 | 6   |
| -11       | 112-3100-08-1   | COLLAR                     | A112-0020 | 2   |
| -12       | D6110-000P30    | O-RING                     | A112-0020 | 6   |
| -13       | 112-3100-09     | PLATE                      | A112-0020 | 1   |
| -14       | D5010-242001    | BOLT,socket-head, 24×200   | A112-0020 | 2   |
| -15       | 112-3100-10-1   | PLATE                      | A112-0020 | 2   |
| -16       | D5000-241701    | BOLT, 24×170               | A112-0020 | 2   |
| -17       | H0032-1161-03   | FILTER UNIT                | A112-0020 | 1   |
| -18       | 112-3100-01-2   | BOX                        | A112-0020 | 1   |
| -19       | C2935-000250    | WINDOW,oil, A25            | A112-0020 | 1   |
| -20       | D2765-000281    | CLAMP,wire                 | A112-0020 | 1   |
| -21       | D2781-020402    | JOINT,pipe, NTN PB-4-PT1/8 | A112-0020 | 3   |
| -22       | D7793-190500    | HOSE, 19×500               | A112-0020 | 1   |
| -23       | D7872-001932    | JOINT,hose                 | A112-0020 | 1   |
| -24       | 112-3100-02     | COVER                      | A112-0020 | 1   |
| -25       | C5010-120201    | BOLT,socket-head           | A112-0020 | 4   |
| -26       | 112-3100-13     | PIPE                       | A112-0020 | 1   |
| -27       | C5010-080301    | BOLT,socket-head           | A112-0020 | 2   |
| -28       | C7861-000012    | PLUG,socket-head           | A112-0020 | 1   |
| -29       | D2781-000402    | JOINT,pipe, NTN PB-4-PT1/8 | A112-0020 | 8   |
| -30       | D2781-020402    | JOINT,pipe, NTN PB-4-PT1/8 | A112-0020 | 2   |
| -31       | D2781-040402    | JOINT,pipe, NTN PB-4-PT1/8 | A112-0020 | 1   |
| -32       | D7781-040500    | PIPE,steel, 4×500          | A112-0020 | 12  |
| -33       | 112-3100-11-2   | TANK                       | A112-0020 | 1   |
| -34       | C5010-080161    | BOLT,socket-head, 8×16     | A112-0020 | 4   |
| -35       | C7850-000022    | PLUG,3/8                   | A112-0020 | 1   |
| -36       | H0039-0001-54   | MANOMETER                  | A112-0020 | 1   |
| -37       | 112-3100-12-2   | COVER                      | A112-0020 | 1   |
| -38       | C5010-080101    | BOLT,socket-head, 8×10     | A112-0020 | 4   |
| -39       | C5010-080161    | BOLT,socket-head, 8×16     | A112-0020 | 4   |
| -40       | C7812-000332    | ELBOW,street, 1/2          | A112-0020 | 1   |
| -41       | D2765-000281    | CLAMP,wire, 28             | A112-0020 | 1   |
| -42       | D2781-000602    | JOINT,pipe, NTN PA-6-PT1/8 | A112-0020 | 1   |

| INDEX NO. | PART NO.         | DESCRIPTION   | UNIT NO.  | QTY |
|-----------|------------------|---|-----------|-----|
| -43       | D2781-000612     | JOINT,pipe, NTN PA-6-PT1/8                          | A112-0020 | 1   |
| -44       | D2781-020602     | JOINT,pipe, NTN PB-6-PT1/8                          | A112-0020 | 1   |
| -45       | D7781-060100     | PIPE,steel  | A112-0020 | 2   |
| -46       | D7872-001932     | JOINT,hose  | A112-0020 | 1   |
| -47       | H0010-0000-32    | CONNECTOR, male                                     | A112-0020 | 1   |
| -48       | H0039-0001-29    | PLUG,oil  | A112-0020 | 1   |
| -49       | 112-3102-07-1    | STOCK   | A112-0020 | 1   |
| -50       | C5010-080401     | BOLT,socket-head, 8×40                              | A112-0020 | 3   |
| -51       | D6110-0000P8     | O-RING  | A112-0020 | 2   |
| -52       | F0000-442-000-31 | D VALVE,solenoid, SUMITOMO SDASGS-A(C)B-02N-D24-20Z | A112-0020 | 1   |
| -53       | H0010-0002-17    | CONNECTOR, male NITTA C2N-1/4-PT1/8                 | A112-0020 | 1   |
| -54       | H0010-0007-13    | CONNECTOR, male NITTA CIN-1/4-PT1/8                 | A112-0020 | 1   |
| -55       | 112-3102-08      | SHAFT   | A112-0020 | 1   |
| -56       | 112-3102-09      | DOG   | A112-0020 | 1   |
| -57       | C5030-005061     | SET-SCREW, 5×6                                      | A112-0020 | 1   |
| -58       | C5110-000101     | NUT, hex, #4, 10                                    | A112-0020 | 2   |
| -59       | C5160-000101     | WASHER, spring, 10                                  | A112-0020 | 2   |
| -60       | 112-3102-11-1    | SUPPORT   | A112-0020 | 1   |
| -61       | C5010-080121     | BOLT,socket-head, 8×12                              | A112-0020 | 2   |
| -62       | C5040-004251     | SCREW, pan-head, 4×25                               | A112-0020 | 4   |
| -63       | C5160-000041     | WASHER, spring, 4                                   | A112-0020 | 4   |
| -64       | E3019-397-060    | LIMIT-SWITCH, OMRON SHL-D2255                       | A112-0020 | 2   |
| -65       |                  |   |           |     |
| -66       |                  |   |           |     |
| -67       |                  |   |           |     |
| -68       |                  |   |           |     |
| -69       |                  |   |           |     |
| -70       |                  |   |           |     |
| -71       |                  |   |           |     |
| -72       |                  |   |           |     |
| -73       |                  |   |           |     |
| -74       |                  |   |           |     |
| -75       |                  |   |           |     |
| -76       |                  |   |           |     |
| -77       | E1325-715-008    | AC SPINDLE MOTOR 7.5/11KW FUNUC MODEL 8             | A118-0902 | 1   |

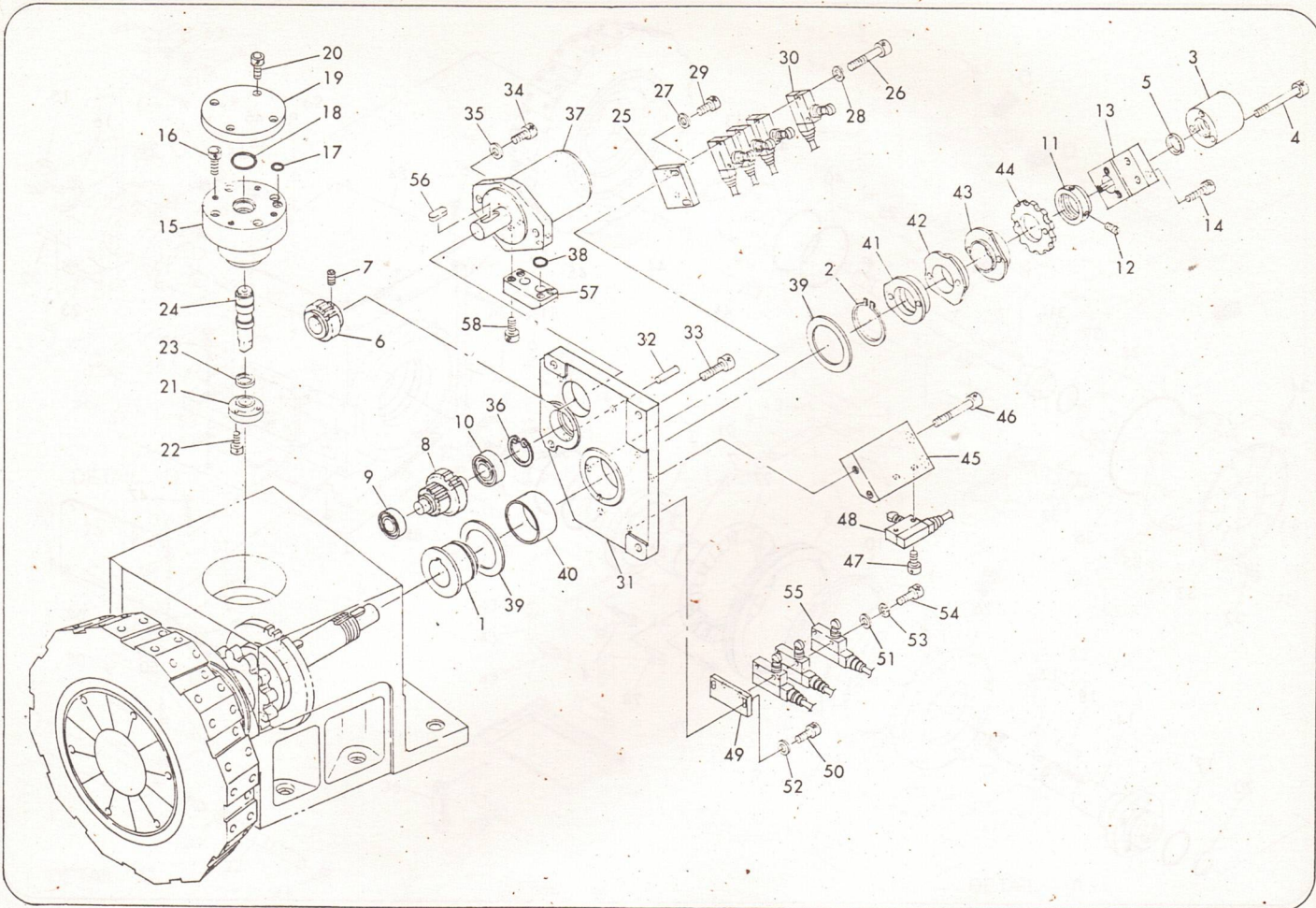




| INDEX NO. | PART NO.      | DESCRIPTION             | UNIT NO.  | QTY |
|-----------|---------------|-------------------------|-----------|-----|
| -1        | 112-3300-01   | RING                    | A112-0035 | 1   |
| -2        | C5010-060141  | BOLT,socket-head,6×14   | A112-0035 | 8   |
| -3        | 119-3000-12   | FLANGE                  | A112-0035 | 1   |
| -4        | C5010-100351  | BOLT,socket-head, 10×35 | A112-0035 | 6   |
| -5        | D6210-00P120  | O-RING,5.7×119.6        | A112-0035 | 1   |
| -6        | H0031-0009-10 | PISTON-SEAL,NOK SPN70   | A112-0035 | 2   |
| -7        | M004-MB7040DU | BEARING,DAIDO MB7040DU  | A112-0035 | 1   |
| -8        | 119-3000-13   | RING                    | A112-0035 | 1   |
| -9        | C5010-060251  | BOLT,socket-head,6×25   | A112-0035 | 4   |
| -10       | H0031-0009-30 | CAP SEAL,CAP-4BE-250    | A112-0035 | 1   |
| -11       | 119-3000-14-1 | PISTON                  | A112-0035 | 1   |
| -12       | D6110-008120  | O-RING,5.7×119.6        | A112-0035 | 1   |
| -13       | 112-3320-01-3 | REST,tool V12(S)        | A112-0035 | 1   |
| -14       | 112-3320-06-1 | SHAFT                   | A112-0035 | 1   |
| -15       | C5132-000451  | NUT,bearing,45          | A112-0035 | 1   |
| -16       | C5152-000450  | WASHER,lock,45          | A112-0035 | 1   |
| -17       | C5170-070300  | KEY,feather, 7×7 ×30    | A112-0035 | 1   |
| -18       | C5170-100600  | KEY,feather,10×8 ×60    | A112-0035 | 1   |
| -19       | D6110-000P60  | O-RING,5.7×59.6         | A112-0035 | 1   |
| -20       | 80031-0006-22 | X-RING,R35              | A112-0035 | 1   |
| -21       | 112-3320-07-1 | GEAR                    | A112-0035 | 1   |
| -22       | C0201-080451  | ITP, 8×45               | A112-0035 | 2   |
| -23       | C5010-080451  | BOLT,socket-head,8×45   | A112-0035 | 4   |
| -24       | 112-3320-08-1 | PIPE                    | A112-0035 | 1   |
| -25       | C5170-040150  | KEY,feather, 4×4 ×15    | A112-0035 | 1   |
| -26       | 112-3320-09-1 | CLUTCH                  | A112-0035 | 1   |
| -27       | 112-3320-10   | CLUTCH                  | A112-0035 | 1   |
| -28       | C0201-080401  | ITP, 8×40               | A112-0035 | 2   |
| -29       | C5010-100201  | BOLT,socket-head, 10×20 | A112-0035 | 8   |
| -30       | 118-3020-09   | CAM                     | A112-0035 | 1   |
| -31       | 119-3000-40   | FLANGE                  | A112-0035 | 1   |
| -32       | C5040-006081  | SCREW,pan-head,6×8      |           | 6   |
| -33       |               | PLATE,instruction       |           | 1   |
| -34       | C5010-060101  | BOLT,socket-head,6×10   |           | 6   |
| -35       | 112-3320-05   | CAP                     |           | 1   |
| -36       | D6110-00G180  | O-RING,G180             |           | 1   |
| -37       | C5010-060121  | BOLT,socket-head,6×12   |           | 4   |
| -38       | 112-3320-04   | CAP                     |           | 1   |
| -39       | D6110-000G50  | O-RING,G50              |           | 1   |
| -40       | D6110-00G120  | O-RING,G120             |           | 2   |
| -41       | C5010-060401  | BOLT,socket-head,6×40   |           | 4   |

| INDEX NO. | PART NO.      | DESCRIPTION             | UNIT NO.  | QTY |
|-----------|---------------|-------------------------|-----------|-----|
| -42       | 112-3320-03   | FLANGE                  |           | 1   |
| -43       | H0031-0006-22 | X-RING,R-35             |           | 1   |
| -44       | C5010-100601  | BOLT,socket-head, 10×60 |           | 6   |
| -45       | 112-3320-02   | TURRET,V12              |           | 1   |
| -46       | 112-3300-18   | PIN                     | A112-0035 | 1   |
| -47       | C5010-160401  | BOLT,socket-head, 16×40 | A112-0035 | 4   |
| -48       | C5010-160501  | BOLT,socket-head, 16×50 | A112-0035 | 2   |
| -49       | 112-3320-19-1 | COVER                   | A112-0035 | 1   |
| -50       | C5050-006101  | SCREW,flat-head, 6×10   | A112-0035 | 6   |
| -51       | 112-3320-20-1 | COVER                   | A112-0035 | 1   |
| -52       | C5050-006101  | SCREW,flat-head, 6×10   | A112-0035 | 6   |
| -53       | 112-3320-22-1 | LINER                   | A112-0035 | 1   |
| -54       | 112-3320-23   | COVER                   | A112-0035 | 1   |
| -55       | C5010-060101  | BOLT,socket-head,6×10   | A112-0035 | 3   |
| -56       | C5050-006101  | SCREW,flat-head, 6×10   | A112-0035 | 5   |

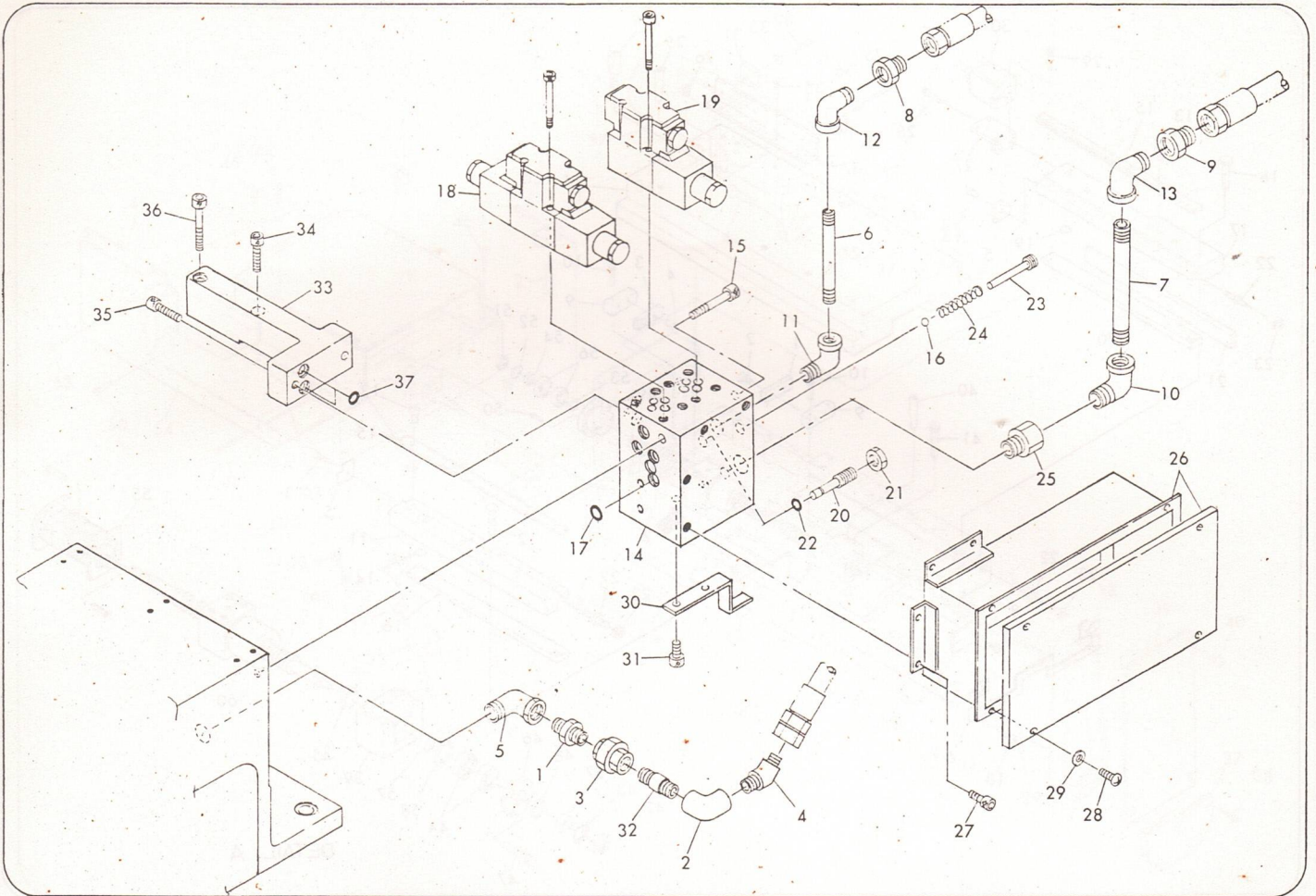




| INDEX NO. | PART NO.      | DESCRIPTION                   | UNIT NO.  | QTY |
|-----------|---------------|-------------------------------|-----------|-----|
| -1        | 112-3300-02   | FLANGE                        | A112-0035 | 1   |
| -2        | C5180-000600  | SNAP-RING, 60                 | A112-0035 | 1   |
| -3        | 112-3300-03   | JOINT                         | A112-0035 | 1   |
| -4        | C5010-060651  | BOLT, socket-head, 8x65       | A112-0035 | 3   |
| -5        | H0031-0004-95 | X-RING, R-24                  | A112-0035 | 1   |
| -6        | 118-3000-18-1 | GEAR                          | A112-0035 | 1   |
| -7        | C5034-006061  | SET-SCREW, 6x6                | A112-0035 | 1   |
| -8        | 119-3000-17   | GEAR                          | A112-0035 | 1   |
| -9        | M000-6203ZZ   | BEARING, 6203ZZ, M17x40x12    | A112-0035 | 1   |
| -10       | M000-6204ZZ   | BEARING, 6204ZZ, M20x47x14    | A112-0035 | 1   |
| -11       | 119-3000-23   | DOG                           | A112-0035 | 1   |
| -12       | C5030-006081  | SET-SCREW, 6x8                | A112-0035 | 1   |
| -13       | 119-3000-27-1 | LOCK                          | A112-0035 | 1   |
| -14       | C5010-080251  | BOLT, socket-head, 8x25       | A112-0035 | 2   |
| -15       | 112-3300-08-2 | CYLINDER                      | A112-0035 | 1   |
| -16       | C5010-080401  | BOLT, socket-head, 8x40       | A112-0035 | 4   |
| -17       | D6110-600P10  | O-RING, 1.9x9.8               | A112-0035 | 1   |
| -18       | D6110-000P26  | O-RING, 3.5x25.7              | A112-0035 | 1   |
| -19       | 112-3300-09   | COVER                         | A112-0035 | 1   |
| -20       | C5010-060161  | BOLT, socket-head, 6x16       | A112-0035 | 4   |
| -21       | 118-3000-27-1 | COVER                         | A112-0035 | 1   |
| -22       | C5010-050141  | BOLT, socket-head, 5x14       | A112-0035 | 3   |
| -23       | H0031-0008-92 | PACKING, NOK SPM M18x26x5.5   | A112-0035 | 1   |
| -24       | 119-3000-32-1 | SPOOL                         | A112-0035 | 1   |
| -25       | 112-3300-04-1 | PLATE                         | A112-0035 | 1   |
| -26       | C5010-060181  | BOLT, socket-head, 6x18       | A112-0035 | 2   |
| -27       | C5140-000041  | WASHER, polished, 4           | A112-0035 | 2   |
| -28       | C5140-000061  | WASHER, polished, 6           | A112-0035 | 2   |
| -29       | D5010-040801  | BOLT, socket-head, 4x80       | A112-0035 | 2   |
| -30       | E3019-397060  | LIMIT-SWITCH, OMRON SHL-D2255 | A112-0035 | 4   |
| -31       | 112-3320-11-3 | PLATE                         | A112-0035 | 1   |
| -32       | C0201-080321  | ITP, 8x32                     | A112-0035 | 2   |
| -33       | C5010-100251  | BOLT, socket-head, 10x25      | A112-0035 | 4   |
| -34       | C5010-120351  | BOLT, socket-head, 12x35      | A112-0035 | 2   |
| -35       | C5160-000121  | WASHER, spring, 12            | A112-0035 | 2   |
| -36       | C5161-000470  | SNAP-RING, 47                 | A112-0035 | 1   |
| -37       | F019-0001-61  | MOTOR, oil, H-070BA2FM-G      | A112-0035 | 1   |

| INDEX NO. | PART NO.      | DESCRIPTION                      | UNIT NO.  | QTY |
|-----------|---------------|----------------------------------|-----------|-----|
| -38       | F109-0000-56  | O-RING, NOK CO-0408A M2.62x12.37 | A112-0035 | 2   |
| -39       | M001-AS1112   | BEARING, INA AS1112 M60x85x1     | A112-0035 | 2   |
| -40       | M004-MB6030DU | BEARING, DAIDO MB6030DU          | A112-0035 | 1   |
| -41       | 112-3320-12   | CAM                              | A112-0035 | 1   |
| -42       | 112-3320-13   | CAM                              | A112-0035 | 1   |
| -43       | 112-3320-14   | CAM                              | A112-0035 | 1   |
| -44       | 112-3320-15   | DOG                              | A112-0035 | 1   |
| -45       | 112-3320-18   | SUPPORT                          | A112-0035 | 1   |
| -46       | C5010-080851  | BOLT, socket-head, 8x85          | A112-0035 | 2   |
| -47       | D5010-040251  | BOLT, socket-head, 4x25          | A112-0035 | 2   |
| -48       | E3019-397060  | LIMIT-SWITCH, OMRON SHL-D2255    | A112-0035 | 1   |
| -49       | 119-3000-24   | PLATE                            | A112-0035 | 1   |
| -50       | C5010-060181  | BOLT, socket-head, 6x18          | A112-0035 | 2   |
| -51       | C5140-000041  | WASHER, polished, 4              | A112-0035 | 2   |
| -52       | C5140-000061  | WASHER, polished, 6              | A112-0035 | 2   |
| -53       | C5180-000041  | WASHER, spring, 4                | A112-0035 | 4   |
| -54       | D5010-040801  | BOLT, socket-head, 4x80          | A112-0035 | 2   |
| -55       | E3019-397060  | LIMIT-SWITCH, OMRON SHL-D2255    | A112-0035 | 3   |
| -56       | F019-0001-61  | KEY, 7x7 x31.5                   | 1         | 1   |
| -57       |               | JOINT                            |           | 1   |
| -58       |               | BOLT, socket-head                |           | 4   |

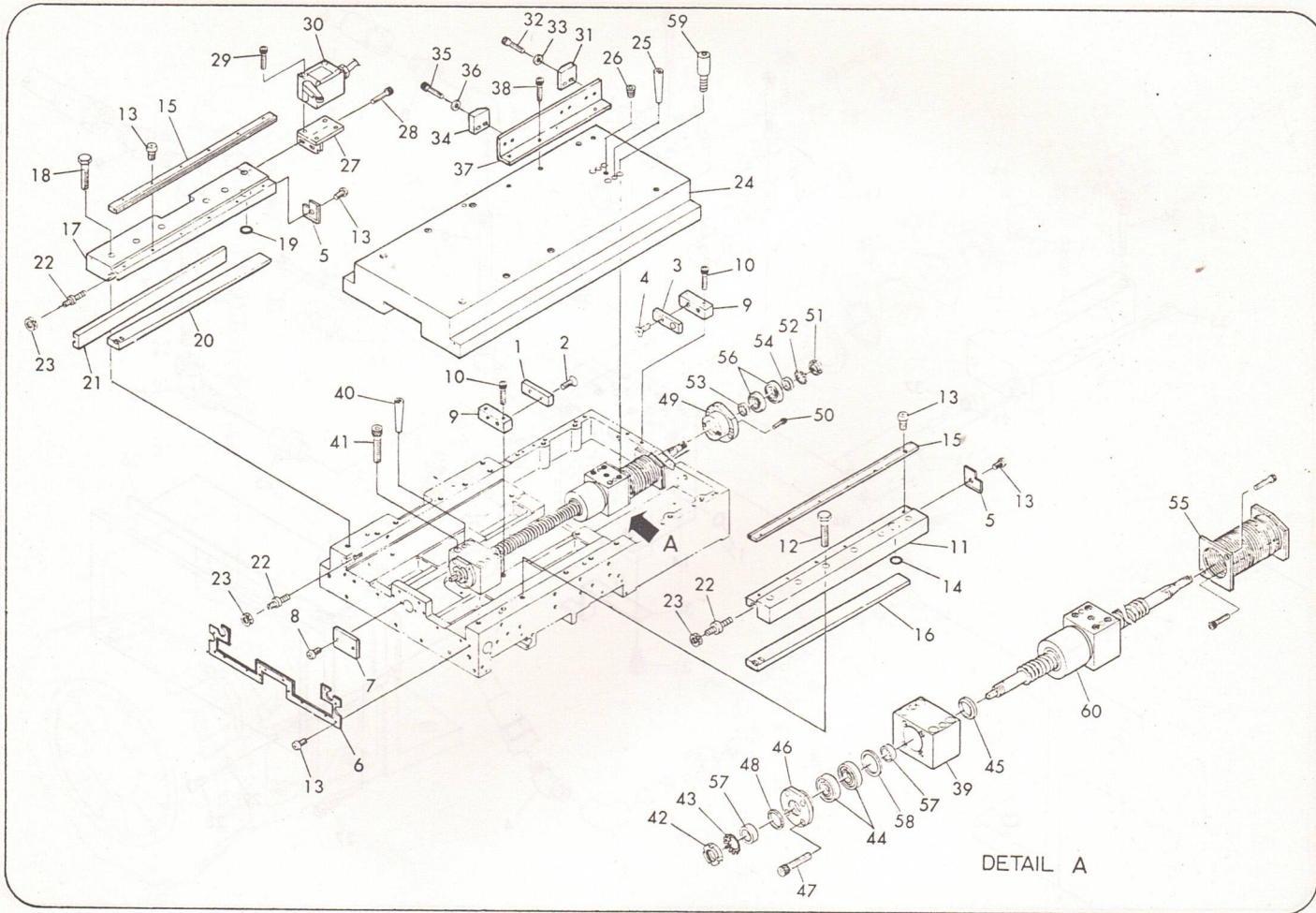




| INDEX NO. | PART NO.         | DESCRIPTION   | UNIT NO.  | QTY |
|-----------|------------------|---|-----------|-----|
| -1        | C7800-000332     | NIPPLE, 1/2   | A112-0035 | 1   |
| -2        | C7810-000332     | ELBOW, 1/2  | A112-0035 | 1   |
| -3        | C7847-000032     | UNION, 1/2  | A112-0035 | 1   |
| -4        | D7870-030032     | JOINT, hose, 45° elbow<br>1/2                                       | A112-0035 | 1   |
| -5        | C7812-000332     | ELBOW, street, 1/2  | A112-0035 | 1   |
| -6        | 112-3300-13-1    | PIPE  | A112-0035 | 1   |
| -7        | D7784-301302     | GAS PIPE, 1/2×130   | A112-0035 | 1   |
| -8        | D7870-010022     | JOINT, hose, NIPPLE 3/8   | A112-0035 | 1   |
| -9        | D7870-010032     | JOINT, hose, NIPPLE 1/2   | A112-0035 | 1   |
| -10       | H0010-0017-44    | ELBOW, street, NTM<br>STEPT1/2                                      | A112-0035 | 1   |
| -11       | H0010-0017-46    | ELBOW, street, NTM<br>STEPT3/8                                      | A112-0035 | 1   |
| -12       | H0010-0017-47    | ELBOW, screw in, NTM<br>STEPT1/2                                    | A112-0035 | 1   |
| -13       | H0010-0017-48    | ELBOW, screw in, NTM<br>90EFP3/8                                    | A112-0035 | 1   |
| -14       | 112-3300-07-1    | MANIFOLD  | A112-0035 | 1   |
| -15       | C5010-080701     | BOLT, socket-head, 8×70   | A112-0035 | 3   |
| -16       | D5901-000950     | BALL, steel, 3/8  | A112-0035 | 1   |
| -17       | D6110-000P10     | O-RING, 1.9×9.8   | A112-0035 | 5   |
| -18       | F0000-445-000-11 | D VALVE, solenoid,<br>SUMITOMO SEIMITU<br>SD4SGS-AGB-02C-D24-20-Z   | A112-0035 | 1   |
| -19       | F0001-442-000-02 | S VALVE, solenoid,<br>SUMITOMO SEIMITU<br>SD4GS-A(C)B-02-B-D24-20-Z | A112-0035 | 1   |
| -20       | 119-3000-35      | VALVE   | A112-0035 | 2   |
| -21       | C5100-000121     | NUT, hex. #3, 12  | A112-0035 | 2   |
| -22       | D6110-0000P5     | O-RING, 1.9×4.8   | A112-0035 | 2   |
| -23       | 137-3320-13      | BOLT  | A112-0035 | 1   |
| -24       | M100-08088-06425 | SPRING, compression<br>0.8×9.8 ×64×25                               | A112-0035 | 1   |
| -25       | 147-0720-21      | SOCKET, street  | A112-0035 | 1   |
| -26       | H9012-2900-01-1  | BOX, terminal<br>SPN 125×290  | A112-0035 | 1   |
| -27       | C5010-060101     | BOLT, socket-head, 6×10   | A112-0035 | 4   |
| -28       | C5040-004081     | SCREW, pan-head, 4×8  | A112-0035 | 4   |
| -29       | C5160-000041     | WASHER, spring, 4   | A112-0035 | 4   |

| INDEX NO. | PART NO.     | DESCRIPTION             | UNIT NO.  | QTY |
|-----------|--------------|-------------------------|-----------|-----|
| -30       | 112-3320-16  | SUPPORT                 | A112-0035 | 1   |
| -31       | C5010-050051 | BOLT, socket-head, 5×8  | A112-0035 | 2   |
| -32       | D7784-300902 | GAS PIPE                | A112-0035 | 1   |
| -33       | 112-3320-24  | JOINT                   | A112-0035 | 1   |
| -34       | C5010-060251 | BOLT, socket-head, 6×25 | A112-0035 | 1   |
| -35       | C5010-060401 | BOLT, socket-head, 6×40 | A112-0035 | 2   |
| -36       | C5010-060601 | BOLT, socket-head, 6×60 | A112-0035 | 1   |
| -37       | D6110-000P11 | O-RING, 2.4×10.8        | A112-0035 | 2   |

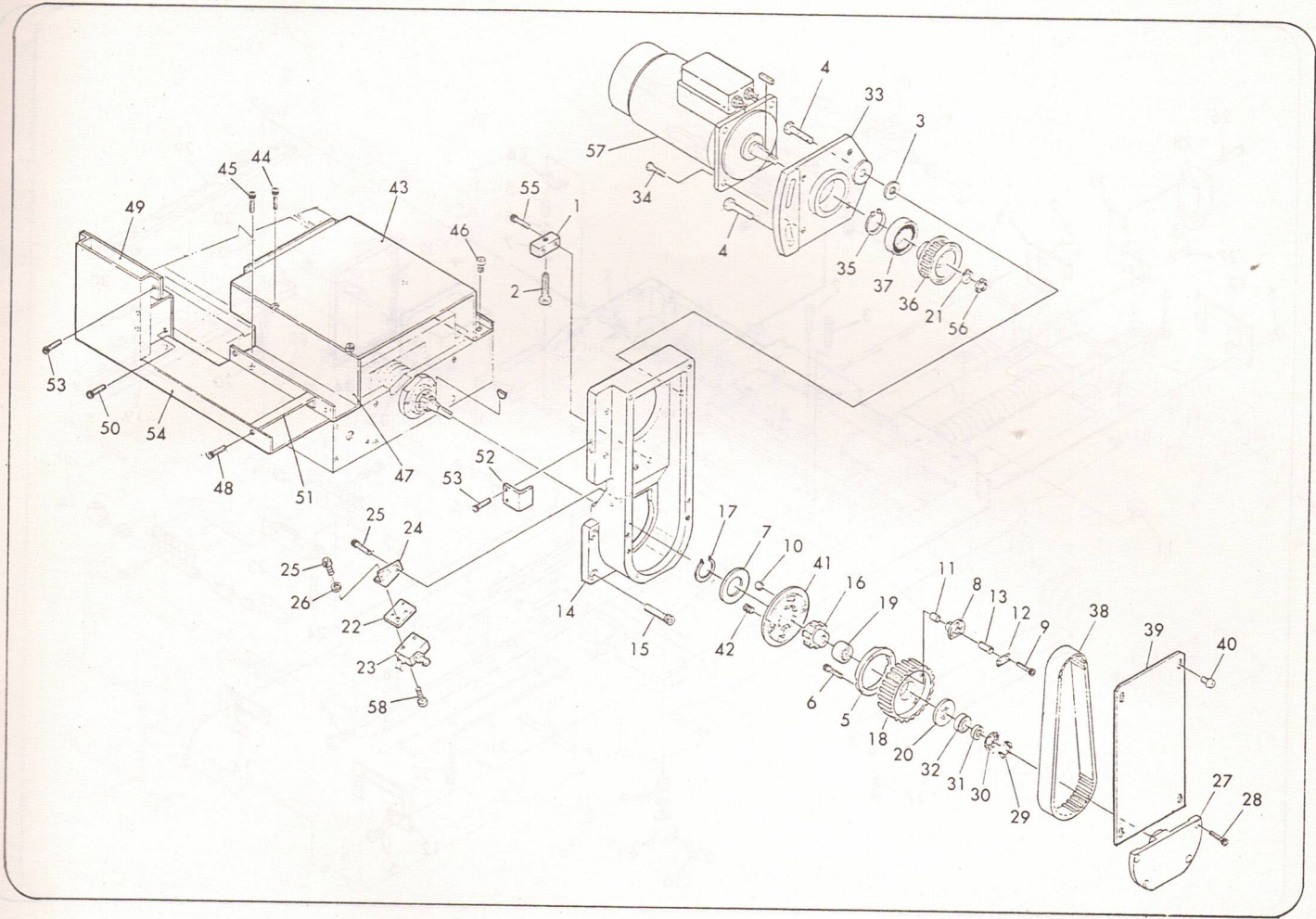




| INDEX NO. | PART NO.      | DESCRIPTION             | UNIT NO.  | QTY |
|-----------|---------------|-------------------------|-----------|-----|
| -1        | H1023-1021-74 | STOPPER,NBR 16×70×5     | A112-0050 | 1   |
| -2        | C5050-006101  | SCREW,flat-head, 6×10   | A112-0050 | 2   |
| -3        | H1023-1021-75 | STOPPER,NBR 16×70×9     | A112-0050 | 1   |
| -4        | C5050-006101  | SCREW,flat-head, 6×10   | A112-0050 | 2   |
| -5        | H1023-0005-44 | WIPER                   | A112-0050 | 2   |
| -8        | H1023-0005-45 | WIPER                   | A112-0050 | 1   |
| -7        | 112-0300-12-1 | COVER                   | A112-0050 | 1   |
| -8        | C5040-005081  | SCREW,pan-head,5×8      | A112-0050 | 2   |
| -9        | 112-0300-13   | BELT,stopper            | 1         | 1   |
| -10       | C5010-080251  | BOLT,socket-head,8×25   | A112-0050 | 2   |
| -11       | 112-0300-28   | BACK PLATE              | A112-0050 | 1   |
| -12       | C5000-120851  |                         | A112-0050 | 6   |
| -13       | C5040-005101  | SCREW,pan-head,5×10     | A112-0050 | 2 8 |
| -14       | D6110-0000P9  | O-RING,1.9×8.8          | A112-0050 | 2   |
| -15       | H1023-0005-43 | WIPER                   | A112-0050 | 2   |
| -16       | 112-0300-27   | JIB                     | A112-0050 | 1   |
| -17       | 112-0300-28   | BACK PLATE              | A112-0050 | 1   |
| -18       | C5000-120851  |                         | A112-0050 | 6   |
| -19       | D6110-0000P9  | O-RING,1.9×8.8          | A112-0050 | 2   |
| -20       | 112-0300-29   | JIB                     | A112-0050 | 1   |
| -21       | 112-0300-30-1 | JIB                     | A112-0050 | 1   |
| -22       | C5010-060161  | BOLT,socket-head,6×16   | A112-0050 | 2   |
| -23       | 121-0301-33   | BOLT                    | A112-0050 | 3   |
| -24       | 112-0310-01-3 | BLACKET                 | A112-0050 | 1   |
| -25       | C0201-080361  | ITP, 8×36               | A112-0050 | 2   |
| -26       | C7861-000002  | PLUG,socket-head,1/8    | A112-0050 | 1   |
| -27       | 112-0310-08-2 | STOCK                   | A112-0050 | 1   |
| -28       | C5010-050351  | BOLT,socket-head,5×35   | A112-0050 | 4   |
| -29       | C5010-060141  | BOLT,socket-head,6×14   | A112-0050 | 2   |
| -30       | E3012-397-013 | LIMIT-SWITCH,WLCA2      | A112-0050 | 1   |
| -31       | 112-0310-07-1 | DOG                     | A112-0050 | 1   |
| -32       | C5010-060251  | BOLT,socket-head,6×25   | A112-0050 | 2   |
| -33       | C5140-000061  | WASHER,polished,6       | A112-0050 | 2   |
| -34       | 112-0310-08-1 | DOG                     | A112-0050 | 1   |
| -35       | C5010-060251  | BOLT,socket-head,6×25   | A112-0050 | 2   |
| -36       | C5140-000061  | WASHER,polished,6       | A112-0050 | 2   |
| -37       | 112-0310-10-1 | SUPPORT                 | A112-0050 | 1   |
| -38       | C5010-060141  | BOLT,socket-head,6×14   | A112-0050 | 4   |
| -39       | 112-0330-02-3 | BRACKET                 | A112-0050 | 1   |
| -40       | C0201-080501  | ITP, 8×50               | A112-0050 | 2   |
| -41       | C5010-120351  | BOLT,socket-head, 12×35 | A112-0050 | 4   |

| INDEX NO. | PART NO.         | DESCRIPTION                     | UNIT NO.  | QTY |
|-----------|------------------|---------------------------------|-----------|-----|
| -42       | C5131-000201     | NUT,castle,M20                  | A112-0050 | 1   |
| -43       | C5153-000200     | WASHER,lock,20                  | A112-0050 | 1   |
| -44       | W000-20BST47DB   | BEARING,NTM<br>BST20×47-1DBP ×1 | A112-0050 | 2   |
| -45       | M1400-02803950   | RING,felt, M28×39×5.0           | A112-0050 | 2   |
| -46       | 112-0330-03      | COVER                           | A112-0050 | 1   |
| -47       | C5010-080201     | BOLT,socket-head,8×20           | A112-0050 | 4   |
| -48       | M1400-02803950   | RING,felt, M28×39×5.0           | A112-0050 | 1   |
| -49       | 112-0330-04-1    | HOUSING                         | A112-0050 | 1   |
| -50       | C5010-080251     | BOLT,socket-head,8×25           | A112-0050 | 3   |
| -51       | C5131-000201     | NUT,castle,M20                  | A112-0050 | 1   |
| -52       | C5153-000200     | WASHER,lock,20                  | A112-0050 | 1   |
| -53       | D5480-020080     | COLLAR,distance                 | A112-0050 | 1   |
| -54       | D5480-020100     | COLLAR,distance                 | A112-0050 | 1   |
| -55       | H1024-0001-64    | TUCK                            | A112-0050 | 1   |
| -56       | W000-7204DB/GNP5 | BEARING,7204DB/GNP5             | A112-0050 | 2   |
| -57       | 117-0200-05      | COLLAR                          | A112-0050 | 2   |
| -58       | 117-0200-08      | COLLAR                          | A112-0050 | 1   |
| -59       | 112-0330-09      | BOLT,long socket-head           | A112-0050 | 4   |
| -60       | H1014-0003-69-1  | BALL-SCREW                      | A112-0020 | 1   |
| -61       | 112-0300-14      | BELT,stopper                    | A112-0050 | 1   |
| -62       | 112-0340-17      | SUPPORT                         | A112-0050 | 1   |





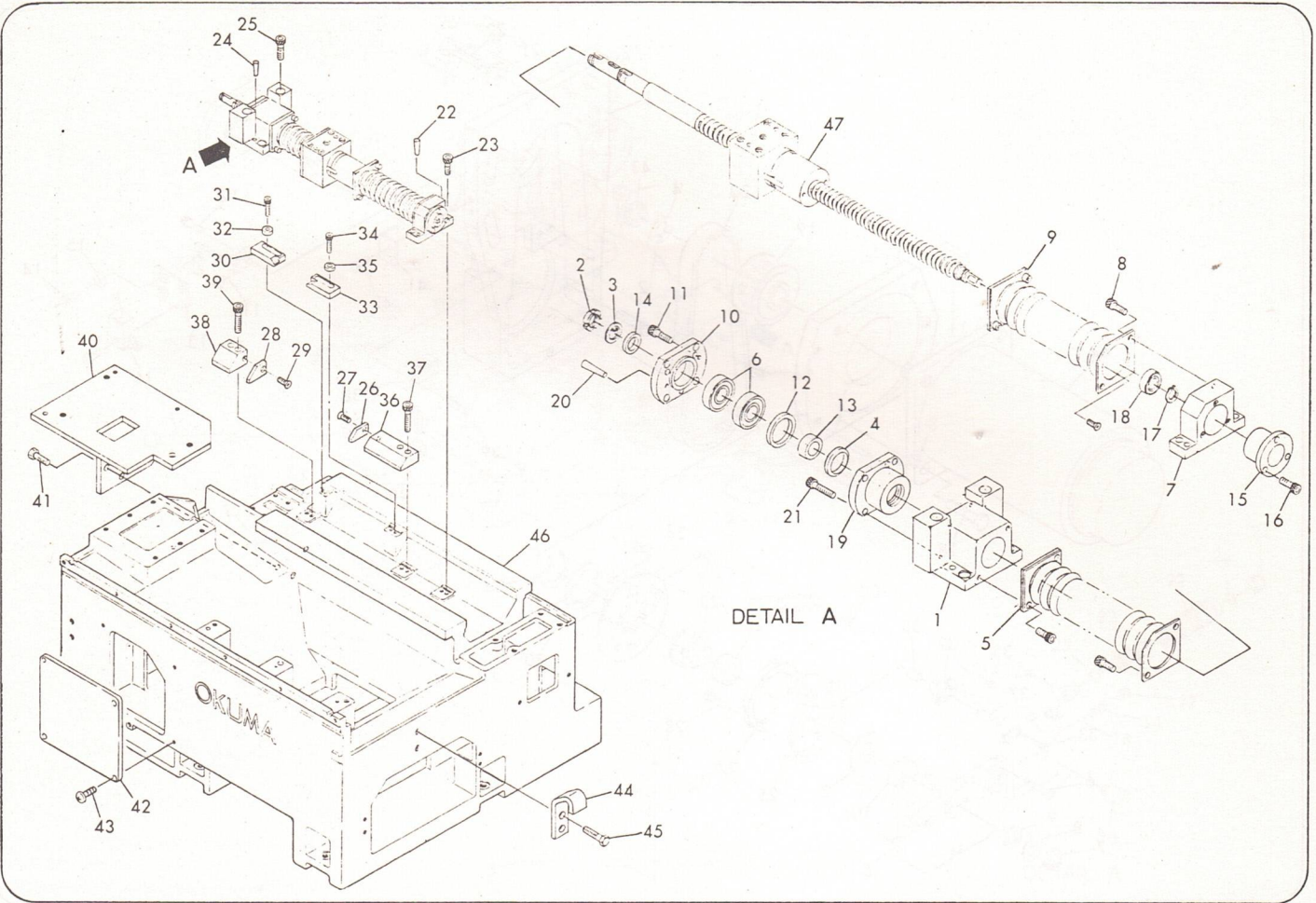
| INDEX NO. | PART NO.       | DESCRIPTION                           | UNIT NO.  | QTY |
|-----------|----------------|---------------------------------------|-----------|-----|
| -1        | 112-0130-06    | SUPPORT                               | A112-0050 | 1   |
| -2        | D5004-120401   | DOG POINT, hex.-bolt, 12×40           | A112-0050 | 1   |
| -3        | 112-0320-15    | WASHER                                | A112-0050 | 3   |
| -4        | C5000-120451   | BOLT, 12×45                           | A112-0050 | 6   |
| -5        | 112-0320-18    | CAM                                   | A112-0050 | 1   |
| -6        | C5010-050121   | BOLT, socket-head, 5×12               | A112-0050 | 8   |
| -7        | 112-0320-20-1  | COLLAR                                | A112-0050 | 1   |
| -8        | 112-0320-22    | BUSH                                  | A112-0050 | 1   |
| -9        | C5010-060121   | BOLT, socket-head, 6×12               | A112-0050 | 3   |
| -10       | M001-IR6×10×10 | BEARING, NTN IR6×10×10                | A112-0050 | 1   |
| -11       | M001-IR6×10×13 | BEARING, IR6×10×13                    | A112-0050 | 1   |
| -12       | 112-0320-23    | WASHER                                | A112-0050 | 1   |
| -13       | 112-0320-24    | PIN, wheel                            | A112-0050 | 1   |
| -14       | 112-0330-01-1  | SUPPORT                               | A112-0050 | 1   |
| -15       | C5010-120301   | BOLT, socket-head, 12×30              | A112-0050 | 4   |
| -16       | 112-0330-05    | HUB                                   | A112-0050 | 1   |
| -17       | C5180-000450   | SNAP-RING, 45                         | A112-0050 | 1   |
| -18       | H1019-0003-53  | PULLEY, BANDO STS S8M0250Z48 FS129108 | A112-0050 | 1   |
| -19       | M001-RNA49/22R | BEARING, NTN RNA49/22R                | A112-0050 | 1   |
| -20       | 112-0330-06    | COLLAR                                | A112-0050 | 1   |
| -21       | 112-0330-08    | WASHER, lock                          | A112-0050 | 1   |
| -22       | 112-0330-10-1  | PLATE                                 | A112-0050 | 1   |
| -23       | E3019-891-017  | LIMIT-SWITCH, YAMATAKE SL1-A          | A112-0050 | 1   |
| -24       | 112-0330-11-1  | SUPPORT                               | A112-0050 | 1   |
| -25       | C5010-060101   | BOLT, socket-head, 6×10               | A112-0050 | 4   |
| -26       | C5140-000061   | WASHER, polished, 6                   | A112-0050 | 2   |
| -27       | 112-0330-12-2  | SUPPORT                               | A112-0050 | 1   |
| -28       | C5010-080201   | BOLT, socket-head, 8×20               | A112-0050 | 4   |
| -29       | C5131-000121   | NUT, slotted, M12                     | A112-0050 | 1   |
| -30       | C5153-000120   | WASHER, lock, 12                      | A112-0050 | 1   |
| -31       | D5420-122250   | COLLAR, bearing presser 12×22×5       | A112-0050 | 1   |
| -32       | M000-6201      | BEARING, 6201, M12×32×10              | A112-0050 | 1   |
| -33       | 112-0330-13    | MOTOR BASE                            | A112-0050 | 1   |
| -34       | C5000-100251   | BOLT, 10×25                           | A112-0050 | 4   |
| -35       | C5180-000350   | SNAP-RING, 35                         | A112-0050 | 1   |
| -36       | H1019-0003-55  | PULLEY, BANDO STS S8M0250Z30 FS8363   | A112-0050 | 1   |

| INDEX NO. | PART NO.         | DESCRIPTION                      | UNIT NO.  | QTY |
|-----------|------------------|----------------------------------|-----------|-----|
| -37       | M000-6207ZZ      | BEARING, 6207ZZ M35×72×17        | A112-0050 | 1   |
| -38       | M119-0006-92     | BELT, synchronize                | A112-0050 | 1   |
| -39       | 112-0330-14      | COVER                            | A112-0050 | 1   |
| -40       | C5040-006101     | SCREW, flat-head, 6×10           | A112-0050 | 4   |
| -41       | 112-0330-15-1    | CLUTCH                           | A112-0050 | 1   |
| -42       | M101-08068-01407 | SPRING, compression 0.8×6.8×14×7 | A112-0050 | 3   |
| -43       | 112-0300-33-1    | COVER                            | A112-0050 | 1   |
| -44       | C5010-060101     | BOLT, socket-head, 6×16          | A112-0050 | 2   |
| -45       | C5010-060161     | BOLT, socket-head, 6×16          | A112-0050 | 2   |
| -46       | C5040-006081     | SCREW, pan-head, 6×8             | A112-0050 | 2   |
| -47       | 112-0300-34      | COVER                            | A112-0050 | 1   |
| -48       | C5010-060161     | BOLT, socket-head, 6×16          | A112-0050 | 2   |
| -49       | 112-0340-01-2    | SUPPORT                          | A112-0050 | 1   |
| -50       | C5010-080161     | BOLT, socket-head, 8×16          | A112-0050 | 4   |
| -51       | 112-0340-02-1    | SUPPORT                          | A112-0050 | 1   |
| -52       | 112-0340-06      | LOCK, steel                      | A112-0050 | 1   |
| -53       | C5010-060101     | BOLT, socket-head, 6×10          | A112-0050 | 6   |
| -54       | 112-0340-12-2    | DUCT                             | A112-0050 | 1   |
| -55       | C5010-080351     | BOLT, socket-head, 8×35          | A112-0050 | 3   |
| -56       |                  |                                  |           |     |
| -57       |                  |                                  |           |     |
| -58       | C5040-004251     | SCREW, pan-head, 4×25            | A112-0050 | 2   |





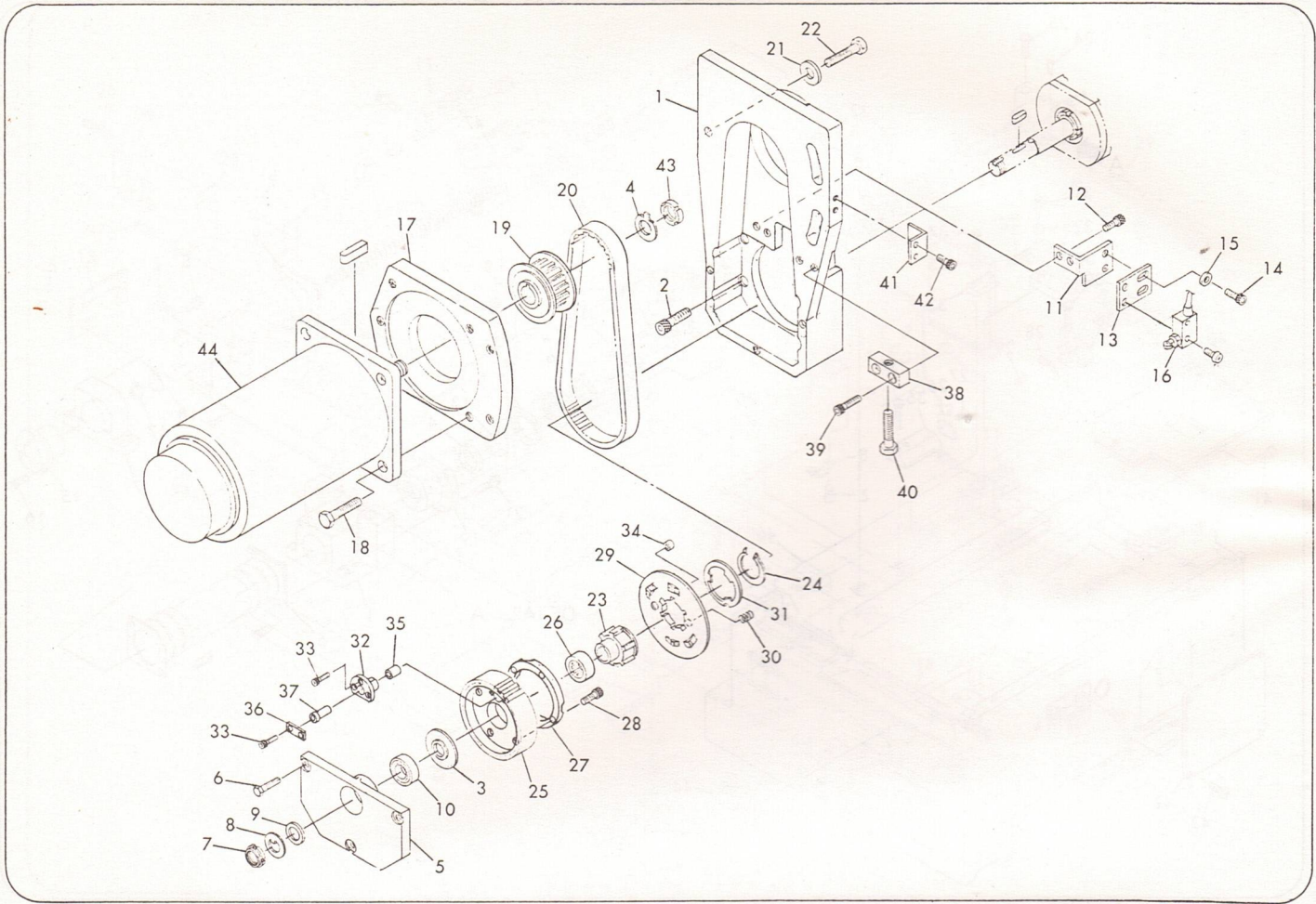




| INDEX NO. | PART NO.       | DESCRIPTION                     | UNIT NO.  | QTY |
|-----------|----------------|---------------------------------|-----------|-----|
| -1        | 112-0320-01-1  | BRACKET                         | A112-0050 | 1   |
| -2        | C5131-000241   | NUT,castle,M24                  | A112-0050 | 1   |
| -3        | C5153-000240   | WASHER,lock                     | A112-0050 | 1   |
| -4        | C8100-000400   | RING,felt,40                    | A112-0050 | 1   |
| -5        | H1024-0001-62  | TUCK                            | A112-0050 | 1   |
| -6        | M000-25BST62DB | BEARING,MTN<br>BST25×62-1DBP ×! | A112-0050 | 1   |
| -7        | 112-0320-03-1  | BRACKET                         | A112-0050 | 1   |
| -8        | C5010-080101   | BOLT,socket-head,6×10           | A112-0050 | 2   |
| -9        | H1024-0001-63  | TUCK                            | A112-0050 | 1   |
| -10       | 112-0320-04-1  | COVER                           | A112-0050 | 1   |
| -11       | C5010-080161   | BOLT,socket-head,8×16           | A112-0050 | 3   |
| -12       | 112-0320-05    | COLLAR                          | A112-0050 | 1   |
| -13       | 112-0320-06    | COLLAR                          | A112-0050 | 1   |
| -14       | 112-0320-07    | COLLAR                          | A112-0050 | 1   |
| -15       | 112-0320-16    | FLANGE                          | A112-0050 | 1   |
| -16       | C5010-080201   | BOLT,socket-head,8×20           | A112-0050 | 3   |
| -17       | C5180-000200   | SNAP-RING,20                    | A112-0050 | 1   |
| -18       | M000-6004LL    | BEARING,6004LL                  | A112-0050 | 1   |
| -19       | 112-0320-31-1  | BUSH                            | A112-0050 | 1   |
| -20       | C0201-080281   | ITP, 6×28                       | A112-0050 | 2   |
| -21       | C5010-080201   | BOLT,socket-head,8×20           | A112-0050 | 4   |
| -22       | C0201-080321   | ITP, 8×32                       | A112-0050 | 2   |
| -23       | C5010-120351   | BOLT,socket-head, 12×35         | A112-0050 | 2   |
| -24       | C0201-080321   | ITP, 8×32                       | A112-0050 | 2   |
| -25       | C5010-120301   | BOLT,socket-head, 12×30         | A112-0050 | 4   |
| -26       | H1023-1021-76  | STOPPER,NBR 25×50×5             | A112-0050 | 1   |
| -27       | C5050-006101   | SCREW,flat-head, 6×10           | A112-0050 | 1   |
| -28       | H1023-1021-77  | STOPPER,NBR 25×50×5             | A112-0050 | 1   |
| -29       | C5050-006101   | SCREW,flat-head, 6×10           | A112-0050 | 1   |
| -30       | 112-0300-16    | DOG                             | A112-0050 | 1   |
| -31       | C5010-080201   | BOLT,socket-head,6×20           | A112-0050 | 2   |
| -32       | C5140-000061   | WASHER,polished,6               | A112-0050 | 2   |
| -33       | 112-0300-17    | DOG                             | A112-0050 | 1   |
| -34       | C5010-080201   | BOLT,socket-head,6×20           | A112-0050 | 2   |
| -35       | C5140-000061   | WASHER,polished,6               | A112-0050 | 2   |
| -36       | 112-0300-18-1  | STOPPER                         | A112-0050 | 1   |
| -37       | C5010-120401   | BOLT,socket-head, 12×40         | A112-0050 | 2   |
| -38       | 112-0300-19    | STOPPER                         | A112-0050 | 1   |
| -39       | C5010-120401   | BOLT,socket-head, 12×40         | A112-0050 | 2   |
| -40       | 112-0000-04-1  | PLATE                           | A112-0050 | 1   |

| INDEX NO. | PART NO.        | DESCRIPTION         | UNIT NO.  | QTY |
|-----------|-----------------|---------------------|-----------|-----|
| -41       | C5000-240601    | BOLT, 24×60         | A112-0000 | 4   |
| -42       | 112-0000-02-1   | COVER               | A112-0000 | 1   |
| -43       | C5040-008101    | SCREW,pan-head,8×10 | A112-0000 | 4   |
| -44       | 122-0020-35     | HOOK                | A112-0000 | 3   |
| -45       | C5000-200501    | BOLT, 20×50         | A112-0000 | 6   |
| -46       | 112-0000-05     | BED                 | A112-0000 | 1   |
| -47       | H1014-0003-66-1 | BALL-SCREW          |           | 1   |





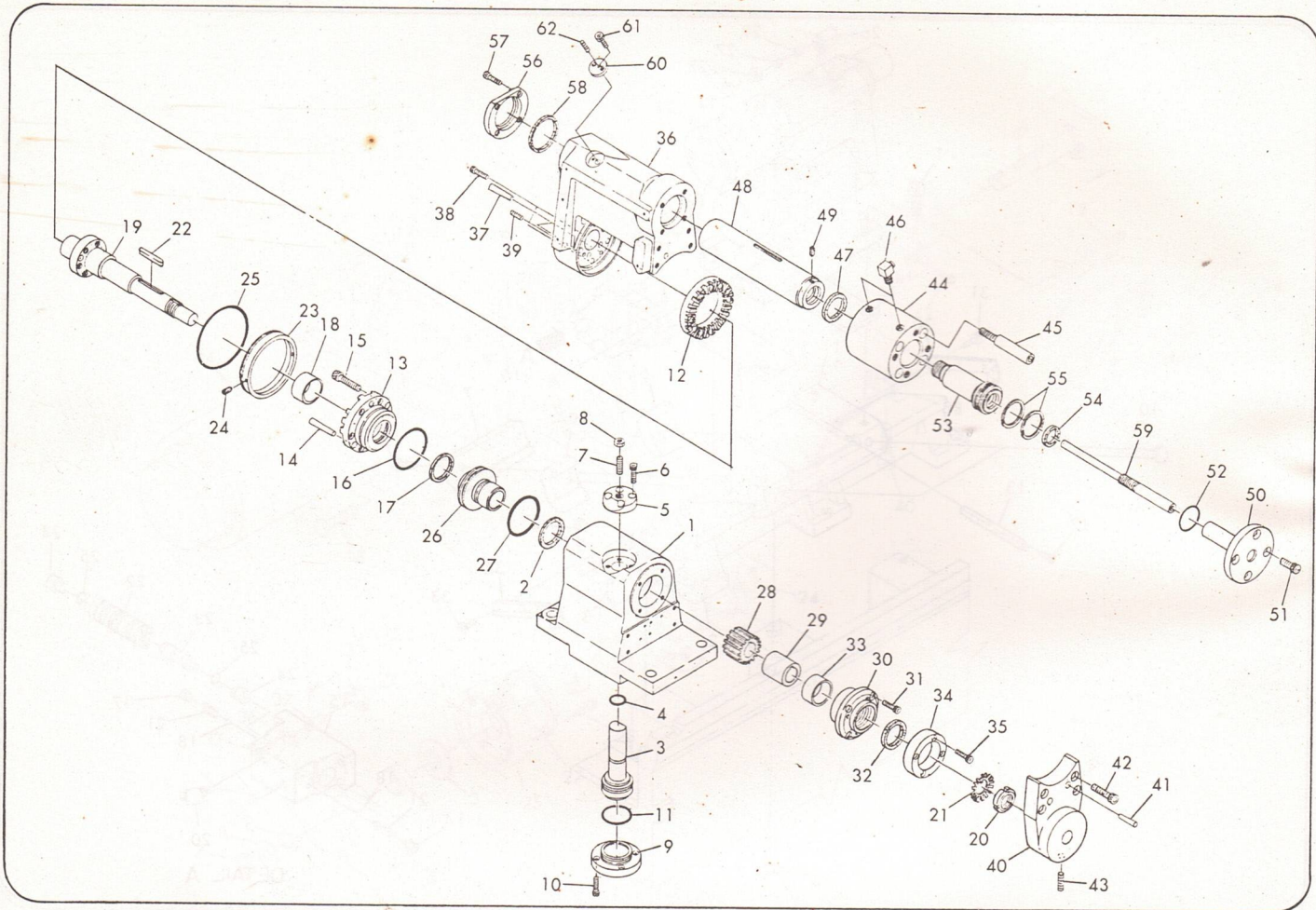
| INDEX NO. | PART NO.         | DESCRIPTION                              | UNIT NO.  | QTY |
|-----------|------------------|--|-----------|-----|
| -1        | 112-0320-02-1    | SUPPORT                                  | A112-0050 | 1   |
| -2        | C5010-120251     | BOLT,socket-head, 12×25                  | A112-0050 | 4   |
| -3        | 112-0320-08      | COLLAR                                   | A112-0050 | 1   |
| -4        | 112-0320-10      | WASHER,lock                              | A112-0050 | 1   |
| -5        | 112-0320-11-2    | SUPPORT                                  | A112-0050 | 1   |
| -6        | C5000-080251     | BOLT, 8×25                               | A112-0050 | 3   |
| -7        | C5131-000201     | NUT,castle,M20                           | A112-0050 | 1   |
| -8        | C5153-000200     | WASHER,lock,20                           | A112-0050 | 1   |
| -9        | D5420-203250     | COLLAR,bearing presser<br>20×32×5        | A112-0050 | 1   |
| -10       | M000-6004LL      | BEARING,6004LL                           | A112-0050 | 1   |
| -11       | 112-0320-12      | SUPPORT                                  | A112-0050 | 1   |
| -12       | C5010-060121     | BOLT,socket-head,6×12                    | A112-0050 | 2   |
| -13       | 112-0320-13      | PLATE                                    | A112-0050 | 1   |
| -14       | C5010-060101     | BOLT,socket-head,6×10                    | A112-0050 | 2   |
| -15       | C5140-000061     | WASHER,polished                          | A112-0050 | 2   |
| -16       | E3019-891-018    | LIMIT-SWITCH,YAMATAKE<br>SL1-D IEC IP-67 | A112-0050 | 1   |
| -17       | 112-0320-14      | MOTOR BASE                               | A112-0050 | 1   |
| -18       | C5000-120301     | BOLT, 12×30                              | A112-0050 | 4   |
| -19       | H1019-0003-54    | PULLEY,BANDO<br>STS S8M0250Z30           | A112-0050 | 1   |
| -20       | M119-0006-91     | BELT,synchronize<br>STS 250S8M800        | A112-0050 | 1   |
| -21       | 112-0320-15      | WASHER                                   | A112-0050 | 3   |
| -22       | C5000-120451     | BOLT, 12×45                              | A112-0050 | 6   |
| -23       | 112-0320-17-1    | HUG                                      | A112-0050 | 1   |
| -24       | C5180-000450     | SNAP-RING,45                             | A112-0050 | 1   |
| -25       | H1013-0003-53    | PULLEY,BANDO STS<br>S8M0250Z48 FS129108  | A112-0050 | 1   |
| -26       | M001-RNA49/22R   | BEARING,NTN RNA49/22R                    | A112-0050 | 1   |
| -27       | 112-0320-18      | CAM                                      | A112-0050 | 1   |
| -28       | C5010-050121     | BOLT,socket-head,5×12                    | A112-0050 | 8   |
| -29       | 112-0320-19-1    | CLUTCH                                   | A112-0050 | 1   |
| -30       | M101-08068-01407 | SPRING,compression,<br>0.8×6.8 ×14×7     | A112-0050 | 3   |
| -31       | 112-0320-20-1    | COLLAR                                   | A112-0050 | 1   |
| -32       | 112-0320-22      | BUSH                                     | A112-0050 | 1   |
| -33       | C5010-060120     | BUSH                                     | A112-0050 | 3   |
| -34       | M001-IR6×10×10   | BEARING, NTN IR6×10×10                   | A112-0050 | 1   |
| -35       | M001-IR6×10×13   | BEARING, IR6×10×13                       | A112-0050 | 1   |

| INDEX NO. | PART NO.     | DESCRIPTION           | UNIT NO.  | QTY |
|-----------|--------------|-----------------------|-----------|-----|
| -36       | 112-0320-23  | WASHER                | A112-0050 | 1   |
| -37       | 112-0320-24  | PIN,wheel             | A112-0050 | 1   |
| -38       | 112-0320-30  | SUPPORT               | A112-0050 | 1   |
| -39       | C5010-080351 | BOLT,socket-head,8×35 | A112-0050 | 2   |
| -40       | D5004-120501 | DOG POINT,hex.-bolt   | A112-0050 | 1   |
| -41       | 112-0340-06  | LOCK,steel            | A112-0050 | 1   |
| -42       | C5010-060101 | BOLT,socket-head,6×10 | A112-0050 | 2   |





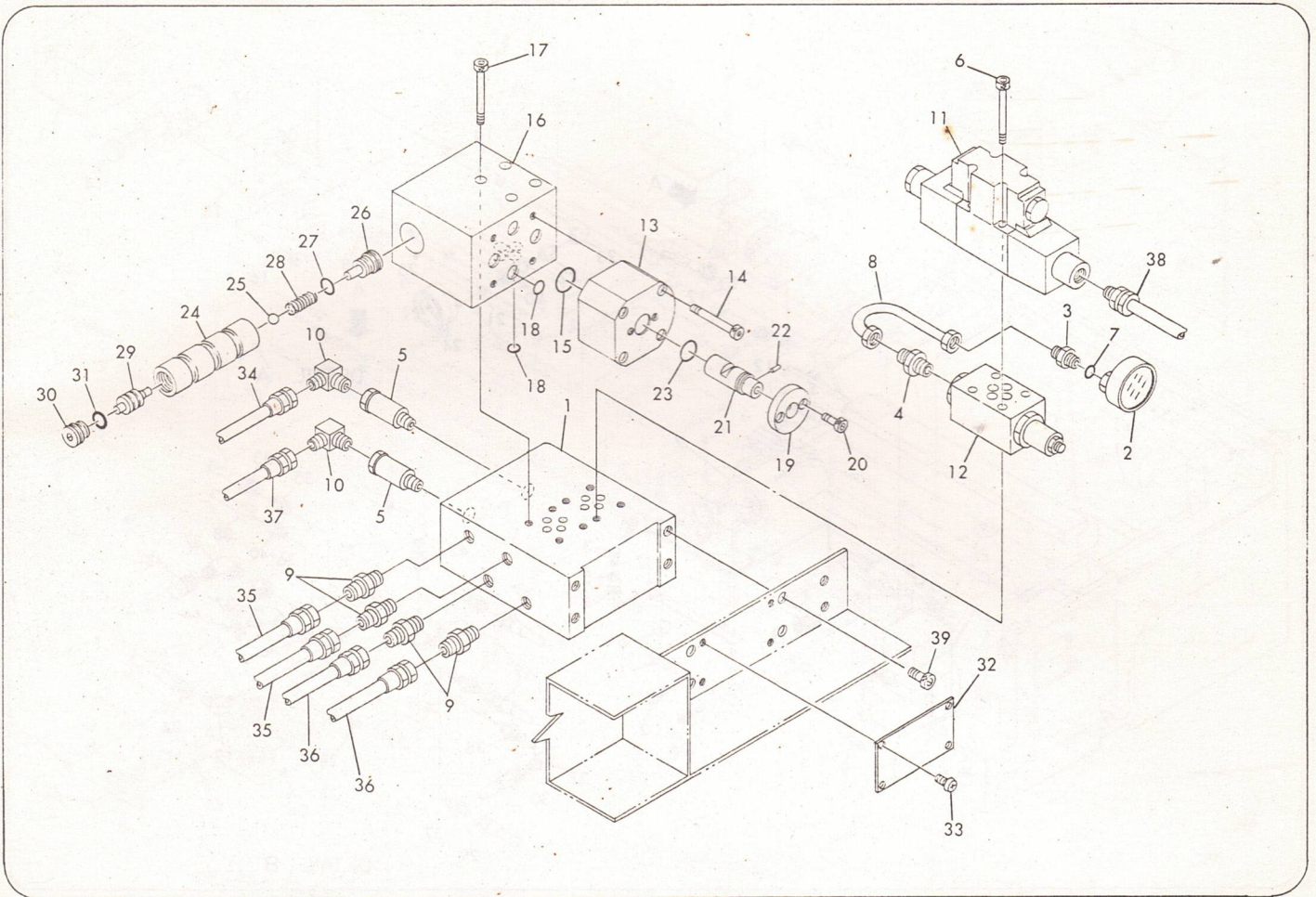




| INDEX NO. | PART NO.       | DESCRIPTION                   | UNIT NO.  | QTY |
|-----------|----------------|-------------------------------|-----------|-----|
| -1        | 112-0400-02-04 | UPPER PLATE                   | A112-0080 | 1   |
| -2        | H0031-0007-60  | PACKING,NOK USH45556 CU0567K0 | A112-0080 | 1   |
| -3        | 112-0400-08-1  | PISTON                        | A112-0080 | 1   |
| -4        | D6110-000P24   | O-RING,3.5×23.7               | A112-0080 | 1   |
| -5        | 112-0400-12-1  | COVER                         | A112-0080 | 1   |
| -6        | C5010-080201   | BOLT,socket-head,8×20         | A112-0080 | 4   |
| -7        | C5035-012301   | SET-SCREW,12×30               | A112-0080 | 1   |
| -8        | C5100-000121   | HEXAGON NUT #3,12             | A112-0080 | 1   |
| -9        | 112-0400-17-3  | COVER                         | A112-0080 | 1   |
| -10       | C5010-080201   | BOLT,socket-head,8×20         | A112-0080 | 4   |
| -11       | D6110-000G50   | O-RING,3.1×49.4               | A112-0080 | 1   |
| -12       | 112-0400-49-1  | CLUTCH                        | A112-0080 | 1   |
| -13       | 112-0400-50    | CLUTCH                        | A112-0080 | 1   |
| -14       | C0201-080321   | ITP, 8×32                     | A112-0080 | 2   |
| -15       | C5010-080201   | BOLT,socket-head,8×20         | A112-0080 | 8   |
| -16       | D6110-000G75   | O-RING,3.1×74.4               | A112-0080 | 1   |
| -17       | H0031-0007-60  | PACKING,NOK USH45556 CU0567K0 | A112-0080 | 1   |
| -18       | M004-MB4525DU  | BEARING,MB4525DU              | A112-0080 | 1   |
| -19       | 112-0400-51    | SHAFT                         | A112-0080 | 1   |
| -20       | C5132-000281   | NUT,bearing,28                | A112-0080 | 1   |
| -21       | C5152-000280   | WASHER,round stopped,28       | A112-0080 | 1   |
| -22       | C5170-070600   | KEY, 7×7 ×60                  | A112-0080 | 1   |
| -23       | 112-0400-52-1  | COLLAR                        | A112-0080 | 1   |
| -24       | C5030-004051   | SET-SCREW, 4×5                | A112-0080 | 2   |
| -25       | M119-0007-36   | ROPE, M3×400                  | A112-0080 | 1   |
| -26       | 112-0400-53    | PISTON                        | A112-0080 | 1   |
| -27       | D6110-000P70   | O-RING,5.7×69.6               | A112-0080 | 1   |
| -28       | 112-0400-54    | GEAR                          | A112-0080 | 1   |
| -29       | 112-0400-55    | COLLAR                        | A112-0080 | 1   |
| -30       | 112-0400-56-1  | FLANGE                        | A112-0080 | 1   |
| -31       | C5010-080201   | BOLT,socket-head,8×20         | A112-0080 | 4   |
| -32       | H0031-0007-60  | PACKING,NOK USH45556 CU0567K0 | A112-0080 | 1   |
| -33       | M004-MB4525DU  | BEARING,MB4525DU              | A112-0080 | 1   |
| -34       | 112-0400-57-1  | COLLAR                        | A112-0080 | 1   |
| -35       | C5010-050251   | BOLT,socket-head,5×25         | A112-0080 | 4   |
| -36       | 112-0400-01-2  | LOOSE HEAD STOCK              | A112-0080 | 1   |
| -37       | C0201-080451   | ITP, 8×45                     | A112-0080 | 4   |
| -38       | C5010-080451   | BOLT,socket-head,8×45         | A112-0080 | 10  |

| INDEX NO. | PART NO.      | DESCRIPTION                 | UNIT NO.  | QTY |
|-----------|---------------|-----------------------------|-----------|-----|
| -39       | C5030-010101  | SET-SCREW,10×10             | A112-0080 | 2   |
| -40       | 112-0400-04-1 | BRACKET                     | A112-0080 | 1   |
| -41       | C0201-100501  | ITP,10×50                   | A112-0080 | 2   |
| -42       | C5010-100351  | BOLT,socket-head, 10×35     | A112-0080 | 4   |
| -43       | C5030-010161  | SET-SCREW,10×16             | A112-0080 | 2   |
| -44       | 112-0400-06-1 | CYLINDER                    | A112-0080 | 1   |
| -45       | D5016-400801  | BOLT,socket-head, M10×40×80 | A112-0080 | 4   |
| -46       | D7870-020012  | ELBOW,1/4                   | A112-0080 | 2   |
| -47       | H0031-0009-77 | PACKING, CU0497K0, 40×50×6  | A112-0080 | 1   |
| -48       | 112-0400-07-2 | SLEEVE                      | A112-0080 | 1   |
| -49       | C5035-006101  | SET-SCREW, 6×10             | A112-0080 | 1   |
| -50       | 112-0400-18-1 | COVER                       | A112-0080 | 1   |
| -51       | C5010-100181  | BOLT,socket-head, 10×18     | A112-0080 | 4   |
| -52       | D6110-000G45  | O-RING,3.1×44.4             | A112-0080 | 1   |
| -53       | 112-0400-19-1 | PISTON                      | A112-0080 | 1   |
| -54       | H0031-0009-78 | PACKING, CU0320K0 28×35.5×5 | A112-0080 | 1   |
| -55       | H0031-0009-80 | PISTON LING, 50×53.0×72.1   | A112-0080 | 2   |
| -56       | 112-0400-25-1 | COVER                       | A112-0080 | 1   |
| -57       | C5010-060121  | BOLT,socket-head,6×12       | A112-0080 | 4   |
| -58       | H0031-0009-79 | DUST SEAL,FQ0045D0, 55×63×5 | A112-0080 | 1   |
| -59       | 112-0400-26   | PUSH-ROD                    | A112-0080 | 1   |
| -60       | 112-0400-27   | TOP                         | A112-0080 | 1   |
| -61       | C5010-060101  | BOLT,socket-head,6×10       | A112-0080 | 2   |
| -62       | C5034-006081  | SET-SCREW, 6×8              | A112-0080 | 1   |

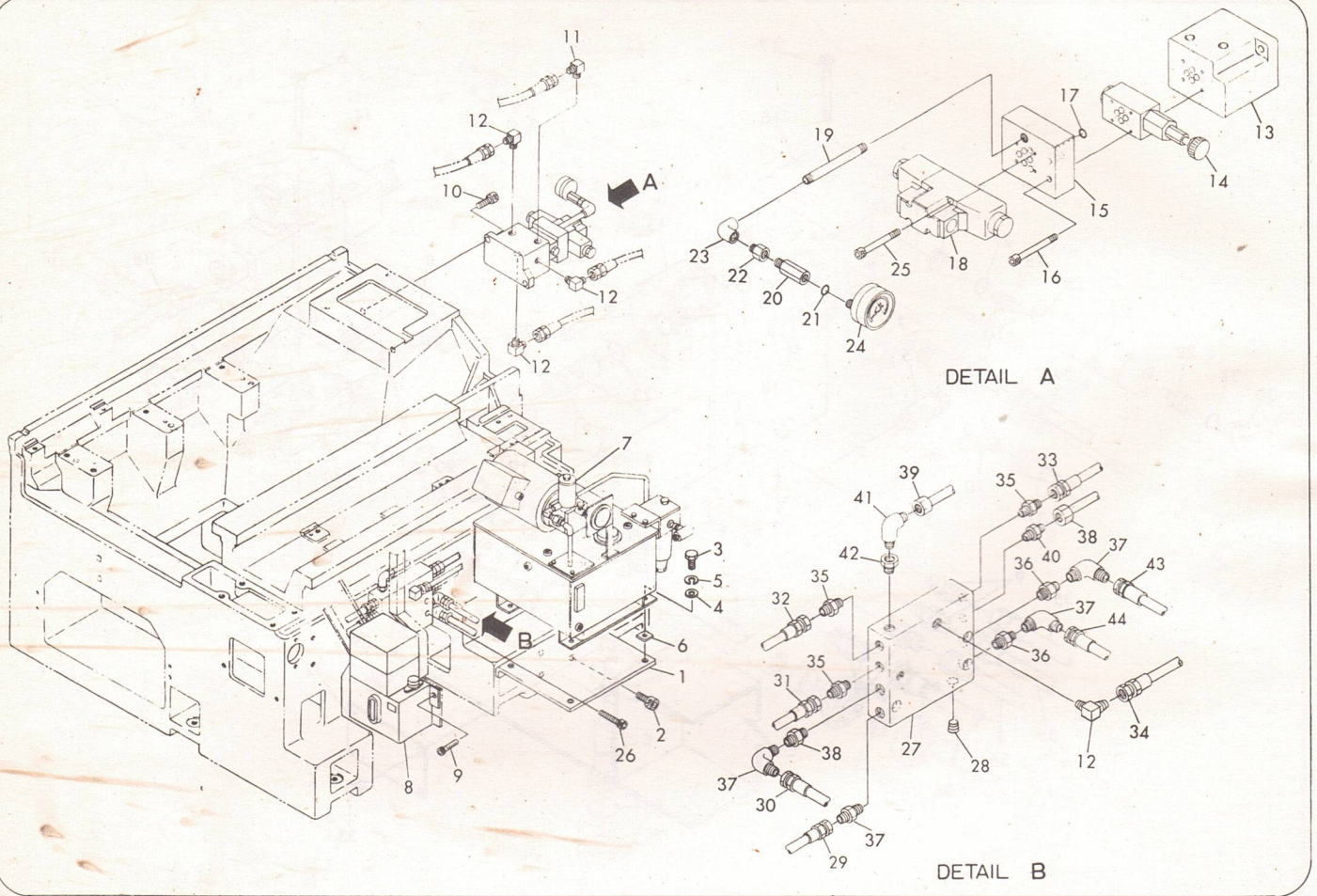




| INDEX NO. | PART NO.         | DESCRIPTION   | UNIT NO.  | QTY |
|-----------|------------------|---|-----------|-----|
| -1        | 112-0400-29      | MANIFOLD  | A112-0080 | 1   |
| -2        | D2600-000112     | DAMPER, pressure, 1/4                               | A112-0080 | 1   |
| -3        | D2781-020802     | JOINT, NTN PB-8-PT1/8                               | A112-0080 | 1   |
| -4        | D2781-040812     | JOINT, NTN PM-8-PF1/4                               | A112-0080 | 1   |
| -5        | D2781-980800     | TAPER SLEEVE, NTN8                                  | A112-0080 | 2   |
| -6        | D5010-050601     | BOLT, socket-head, 5×60                             | A112-0080 | 4   |
| -7        | D6105-000010     | PACKING, joint, 01500 M5.5×M11 ×1.0                 | A112-0080 | 1   |
| -8        | D7781-080100     | STEEL PIPE, 8×100                                   | A112-0080 | 1   |
| -9        | D7870-010012     | NIPPLE, 1/4   | A112-0080 | 4   |
| -10       | D7870-020022     | ELBOW, 3/8  | A112-0080 | 2   |
| -11       | F0000-442-000-34 | D VALVE, solenoid, SUMITOMO SD4SGS-ACB-02C-D24-20-Z | A112-0080 | 1   |
| -12       | F0011-620-000-04 | VALVE, reducing, SUMITOMO SPREM-02P-35-H 1.5-35KG/C | A112-0080 | 1   |
| -13       | 112-0400-30      | VALVE   | A112-0080 | 1   |
| -14       | D5010-050551     | BOLT, socket-head, 5×55                             | A112-0080 | 4   |
| -15       | D6110-000P21     | O-RING, 2.4×20.8                                    | A112-0080 | 1   |
| -16       | 112-0400-31      | MANIFOLD  | A112-0080 | 1   |
| -17       | D5010-050601     | BOLT, socket-head, 5×60                             | A112-0080 | 4   |
| -18       | D6110-0000P9     | O-RING, 1.9×8.8                                     | A112-0080 | 8   |
| -19       | 112-0400-32-1    | COVER   | A112-0080 | 1   |
| -20       | C5010-050101     | BOLT, socket-head, 5×10                             | A112-0080 | 2   |
| -21       | 112-0400-33-1    | VALVE   | A112-0080 | 1   |
| -22       | C5201-003080     | PIN, straight, 3×6                                  | A112-0080 | 1   |
| -23       | D6110-000P16     | O-RING, 2.4×15.8                                    | A112-0080 | 1   |
| -24       | 112-0400-34-2    | VALVE   | A112-0080 | 1   |
| -25       | D5901-001110     | BALL, steel, 7/16                                   | A112-0080 | 1   |
| -26       | 112-0400-35-1    | CAP   | A112-0080 | 1   |
| -27       | D6110-000P12     | O-RING, 2.4×11.8                                    | A112-0080 | 1   |
| -28       | M101-06090-03010 | SPRING, compression, SWPA 0.6×9 ×30×10              | A112-0080 | 1   |
| -29       | 112-0400-61      | PISTON  | A112-0080 | 1   |
| -30       | 120-0420-07      | CAP   | A112-0080 | 1   |
| -31       | D6110-000P12     | O-RING, 2.4×11.8                                    | A112-0080 | 1   |
| -32       | H1040-1029-81    | PLATE, name, 55×100 ×0.8                            | A112-0080 | 1   |
| -33       | C5040-004061     | SCREW, pan-head, 4×6                                | A112-0080 | 4   |
| -34       | D2791-032402     | HOSE, 30K, 9×2400                                   | A112-0142 | 1   |

| INDEX NO. | PART NO.      | DESCRIPTION             | UNIT NO.  | QTY |
|-----------|---------------|-------------------------|-----------|-----|
| -35       | D2792-061502  | HOSE, 70k, 6×1500       | A112-0142 | 2   |
| -36       | D2792-061602  | HOSE, 70k, 6×1600       | A112-0142 | 2   |
| -37       | D2792-092402  | HOSE, 70k, 9×2400       | A112-0142 | 1   |
| -38       | H0022-0003-40 | HOSE, FSC-430 4×3000    | A112-0142 | 1   |
| -39       | C5010-080161  | BOLT, socket-head, 8×18 | A112-0140 | 4   |

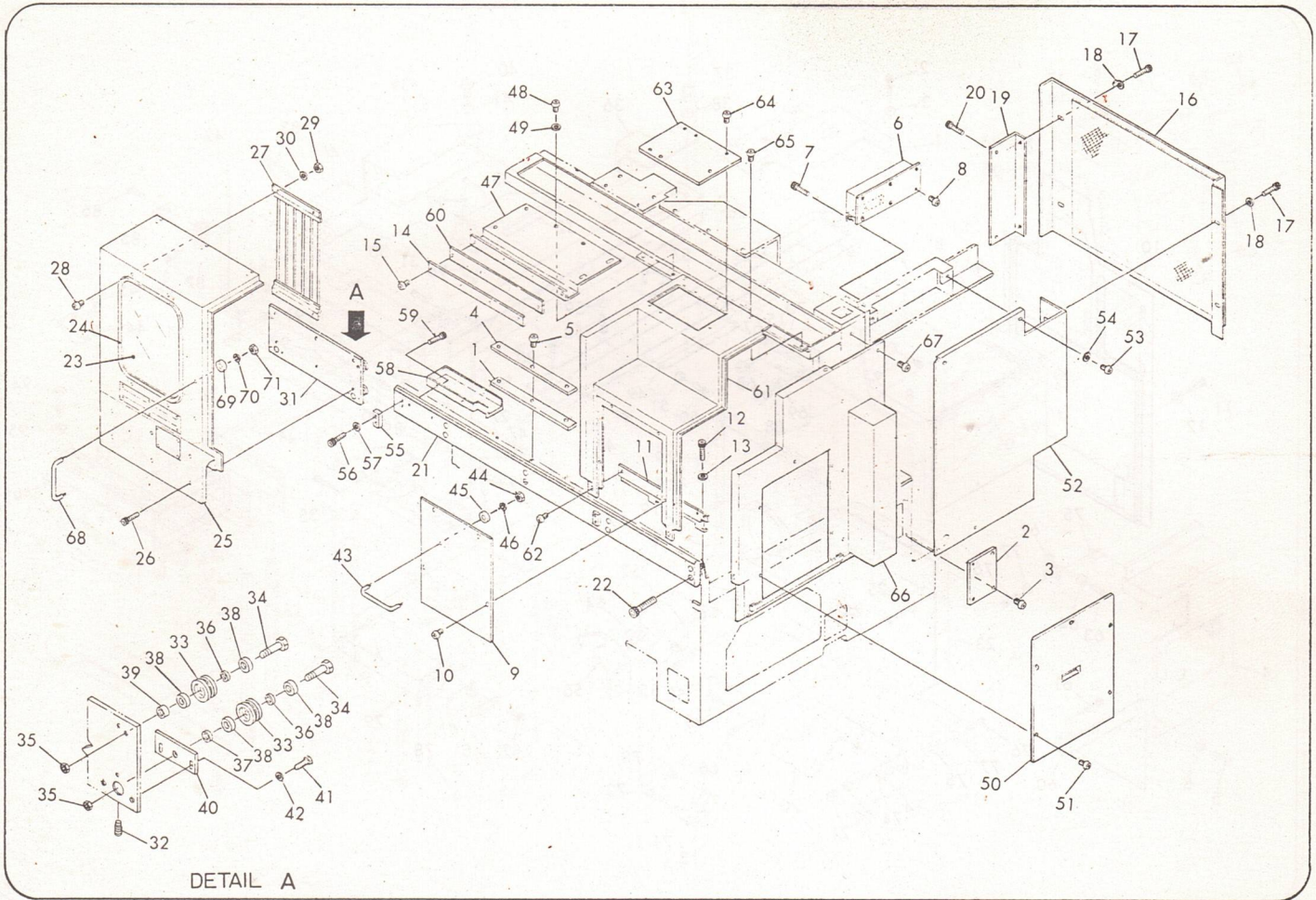




| INDEX NO. | PART NO.         | DESCRIPTION   | UNIT NO.  | QTY |
|-----------|------------------|---|-----------|-----|
| -1        | 112-0000-06      | PLATE   | A112-0000 | 1   |
| -2        | C5000-080161     | BOLT, 8×16  | A112-0000 | 4   |
| -3        | C5010-120251     | BOLT, socket-head, 12×25                                  | A112-0000 | 4   |
| -4        | C5140-000081     | WASHER, polished, 8                                       | A112-0000 | 4   |
| -5        | C5160-000081     | WASHER, spring, 8   | A112-0000 | 4   |
| -6        | M1310-01103050   | RUBBER SHEET,<br>M11×M30 ×5.0                             | A112-0000 | 4   |
| -7        | H0130-0004-60-3  | UNIT, Hydraulic   | A112-0000 | 1   |
|           | H0130-0004-61-3  |   | A112-0000 | 1   |
| -8        | H0120-0001-41    | UNIT, lubrication,<br>SHOWAYUKI, MLA03W                   | A112-0000 | 1   |
| -9        |                  | BOLT, socket-head   | A112-0000 | 1   |
| -10       | C5010-080301     | BOLT, socket-head, 8×30                                   | A112-0000 | 2   |
| -11       | D7870-020022     | ELBOW, 3/8(9), YOKOHAMA                                   | A112-0000 | 1   |
| -12       | D7870-020032     | ELBOW, 1/2(12)  | A112-0000 | 4   |
| -13       | 112-6000-01-1    | MANIFOLD  | A112-0000 | 1   |
| -14       | F0011-620-000-04 | VALVE, reducing, SUMITOMO<br>SPREM-02P-35-H<br>1.5-35KG/C | A112-0000 | 1   |
| -15       | 112-6000-02      | MANIFOLD  | A112-0000 | 1   |
| -16       | D5010-050801     | BOLT, socket-head, 5×80                                   | A112-0000 | 4   |
| -17       | D6110-0000P9     | O-RING  | A112-0000 | 4   |
| -18       | F0000-442-000-31 | VALVE, solenoid, SUMITOMO<br>SD4SGS-A(C)B-02N-D24-20Z     | A112-0000 | 1   |
| -19       | 112-6000-03      | PIPE  | A112-0000 | 1   |
| -20       | D2600-000112     | DAMPER, pressure, 1/4                                     | A112-0000 | 1   |
| -21       | D6105-000010     | PACKING, joint,<br>M5.5×M11 ×1.0                          | A112-0000 | 1   |
| -22       | D7875-000112     | JOINT, pressure, 1/4                                      | A112-0000 | 1   |
| -23       | H0010-0017-43    | ELBOW, screw, NTN<br>90EFPT1/4                            | A112-0000 | 1   |
| -24       |                  | BOLT, socket-head   |           | 1   |
| -25       |                  | BOLT, socket-head   |           | 4   |
| -26       | C5010-120701     | BOLT, socket-head, 12×70                                  | A112-0000 | 3   |
| -27       | 112-0000-09-1    | MANIFOLD  | A112-0000 | 1   |
| -28       | C7861-000022     | PLUG, socket-head, 3/8                                    | A112-0000 | 1   |
| -29       | D2791-122902     | HOSE, 30K, 12×2900  | A112-0000 | 1   |
| -30       | D2791-125302     | HOSE, 30K, 12×5300  | A112-0000 | 1   |
| -31       | D2792-093002     | HOSE, 70K, 9×3000   | A112-0000 | 1   |
| -32       | D2792-095302     | HOSE, 70K, 9×5300   | A112-0000 | 1   |
| -33       | D2792-120452     | HOSE, 70K, 12×450   | A112-0000 | 1   |

| INDEX NO. | PART NO.      | DESCRIPTION                             | UNIT NO.  | QTY |
|-----------|---------------|---|-----------|-----|
| -34       | D2792-121300  | HOSE, 70K, 12×1300                      | A112-0000 | 1   |
| -35       | D7870-010022  | NIPPLE, 3/8                             | A112-0000 | 4   |
| -36       | D7870-010032  | NIPPLE, 1/2                             | A112-0000 | 3   |
| -37       | D7870-020032  | ELBOW, 1/2                              | A112-0000 | 3   |
| -38       | F1232-2000-0  | TUBE, synflex,<br>NITTA N2-1-1/4        | A112-0000 | 1   |
| -39       | F1242-2000-0  | TUBE, synflex,<br>NITTA N2-1-1/4 L2000  | A112-0000 | 1   |
| -40       | H0010-0000-34 | CONNECTOR, male,<br>NITTA L1N-1/4-PT1/4 | A112-0000 | 1   |
| -41       | H0010-0002-23 | ELBOW, male,<br>NITTA L2N-1/4-PT1/4     | A112-0000 | 1   |
| -42       | H0010-0010-96 | BUSH, NTN BUT 3/8×1/4                   | A112-0000 | 1   |
| -43       |               | HOSE, 30K                               |           | 1   |
| -44       |               | HOSE, 30K                               |           | 1   |

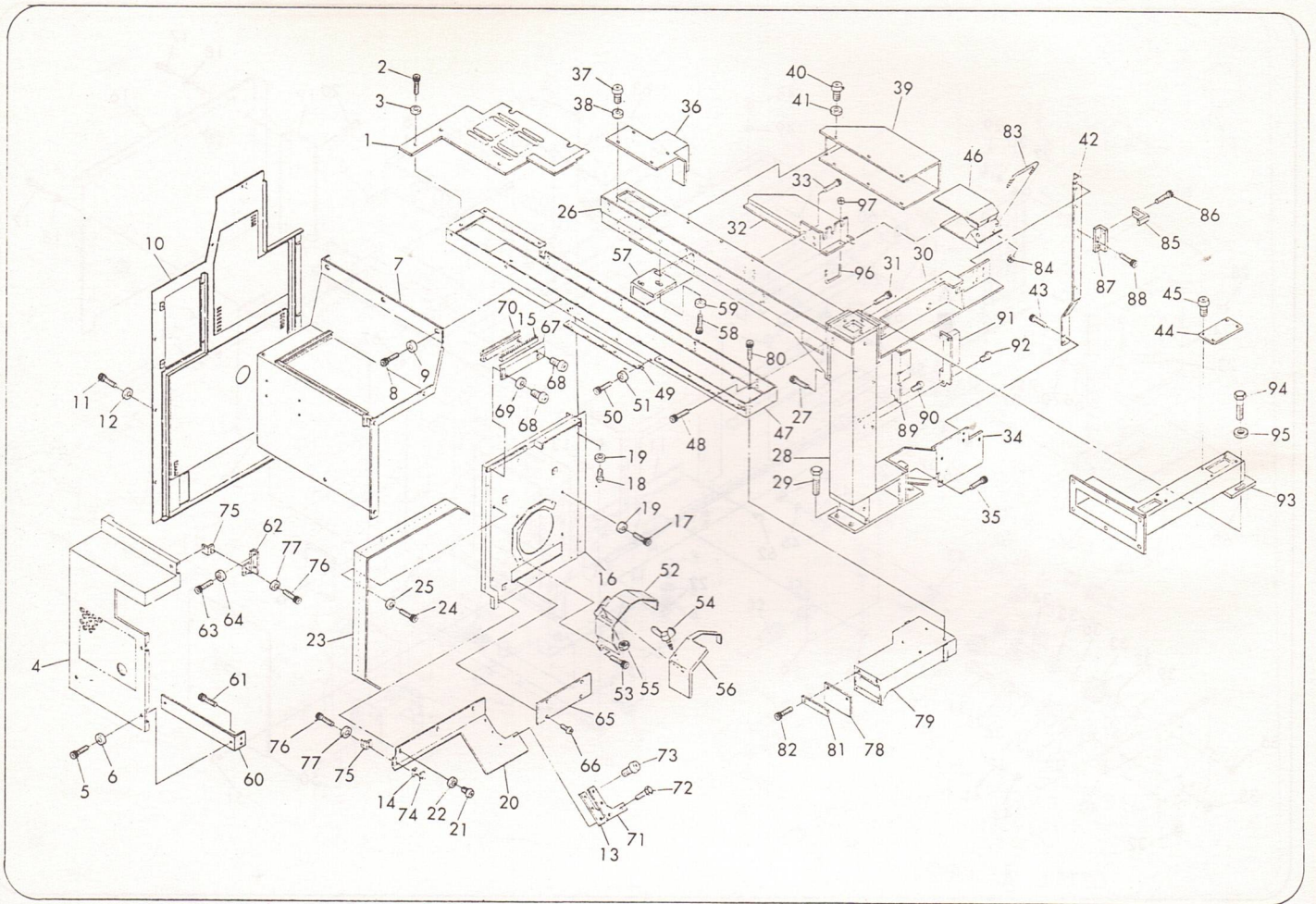




| INDEX NO. | PART NO.        | DESCRIPTION                             | UNIT NO.  | QTY |
|-----------|-----------------|---|-----------|-----|
| -1        | H1020-1056-34   | PLATE,30×620 ×2                         | A112-0000 | 1   |
| -2        | 112-0000-03     | COVER                                   |           | 1   |
| -3        | C5040-006081    | SCREW,pan-head,6×8                      |           | 4   |
| -4        | 112-0031-59     | PLATE                                   | A112-0000 | 1   |
| -5        | C5040-006101    | SCREW,pan-head,6×10                     | A112-0000 | 4   |
| -6        | H9012-4000-01-3 | BOX,terminal,<br>SPN 125×400            | A112-0000 | 1   |
| -7        | C5010-080101    | BOLT,socket-head,8×10                   | A112-0000 | 3   |
| -8        | C5040-005081    | SCREW,pan-head,5×8                      | A112-0000 | 6   |
| -9        | 112-0031-49     | COVER                                   | A112-0000 | 1   |
| -10       | C5040-006081    | SCREW,pan-head,6×8                      | A112-0000 | 4   |
| -11       | 112-0031-52-1   | SUPPORT                                 | A112-0000 | 1   |
| -12       | C5010-080121    | BOLT,socket-head,6×12                   | A112-0000 | 2   |
| -13       | C5150-000061    | WASHER,6                                | A112-0000 | 2   |
| -14       | 112-0031-56     | PLATE                                   | A112-0000 | 1   |
| -15       | C5040-006101    | SCREW,pan-head,6×10                     | A112-0000 | 4   |
| -16       | 112-0031-72-1   | COVER                                   | A112-0000 | 1   |
| -17       | C5010-080101    | BOLT,socket-head,6×10                   | A112-0000 | 4   |
| -18       | C5140-000061    | WASHER,polished,6                       | A112-0000 | 4   |
| -19       | 112-0031-73-1   | SUPPORT                                 | A112-0000 | 1   |
| -20       | C5010-080081    | BOLT,socket-head,6×8                    | A112-0000 | 2   |
| -21       | 112-0000-11     | RAIL                                    | A112-0000 | 1   |
| -22       | C5010-080161    | BOLT,socket-head,8×16                   | A112-0000 | 6   |
| -23       | H1022-1020-01-1 | PLATE, 338×458 ×8                       | A112-0140 | 1   |
| -24       | H1023-0005-13   | H-RUBBER,M0816A L1500                   | A112-0140 | 1   |
| -25       | 112-0031-27-1   | COVER,0310 6250 1633                    | A112-0140 | 1   |
| -26       | H1001-0009-28   | MACHINE-SCREW,<br>hex.socket-head,M8×12 | A112-0140 | 4   |
| -27       | 112-0031-28     | LATTICE                                 | A112-0140 | 1   |
| -28       | C5040-006101    | SCREW,pan-head,6×10                     | A112-0140 | 4   |
| -29       | C5100-000061    | NUT,hex.#3,6                            | A112-0140 | 4   |
| -30       | C5140-000061    | WASHER,polished,6                       | A112-0140 | 4   |
| -31       | 112-0031-29     | PLATE                                   | A112-0140 | 1   |
| -32       | C5035-006201    | SET-SCREW, 6×20                         | A112-0140 | 2   |
| -33       | 112-0031-30-1   | ROLLER                                  | A112-0140 | 2   |
| -34       | 112-0031-31     | SHAFT                                   | A112-0140 | 4   |
| -35       | C5100-000121    | NUT,hex.#3,12                           | A112-0140 | 2   |
| -36       | D5480-012050    | COLLAR,distance                         | A112-0140 | 2   |
| -37       | D5480-012100    | COLLAR,distance                         | A112-0140 | 2   |
| -38       | M000-6001Z      | BEARING,6001Z,<br>M12×28×8              | A112-0140 | 4   |

| INDEX NO. | PART NO.        | DESCRIPTION           | UNIT NO.  | QTY |
|-----------|-----------------|-----------------------|-----------|-----|
| -39       | 112-0031-32     | COLLAR                | A112-0140 | 2   |
| -40       | 112-0031-33     | PLATE                 | A112-0140 | 2   |
| -41       | C5000-080121    | BOLT,6×12             | A112-0140 | 4   |
| -42       | C5140-000061    | WASHER,polished,6     | A112-0140 | 4   |
| -43       | 121-0803-08-1   | GRIP                  | A112-0140 | 1   |
| -44       | C5110-00061     | NUT,hex.#4,6          | A112-0140 | 2   |
| -45       | C5140-000061    | WASHER,polished,6     | A112-0140 | 2   |
| -46       | C5160-000061    | WASHER,spring,6       | A112-0140 | 2   |
| -47       | 112-0031-55     | COVER                 | A112-0140 | 1   |
| -48       | C5040-006101    | SCREW,pan-head,6×10   | A112-0140 | 6   |
| -49       | C5150-000061    | WASHER,6              | A112-0140 | 6   |
| -50       | 112-0031-51-2   | COVER                 | A112-0140 | 1   |
| -51       | C5040-006101    | SCREW,pan-head,6×10   | A112-0140 | 5   |
| -52       | 112-0038-07-3   | COVER                 | A112-0140 | 1   |
| -53       | C5040-006081    | SCREW,pan-head,6×8    | A112-0140 | 3   |
| -54       | C5140-000061    | WASHER,polished,6     | A112-0140 | 3   |
| -55       | H1023-1018-86   | STOPPER,25×50×12.5    | A112-0140 | 2   |
| -56       | C5010-080201    | BOLT,socket-head,6×20 | A112-0140 | 4   |
| -57       | C5150-000061    | WASHER,6              | A112-0140 | 4   |
| -58       | 112-0031-57     | CONDUIT PIPE          | A112-0140 | 1   |
| -59       | C5010-080101    | BOLT,socket-head,6×10 | A112-0140 | 2   |
| -60       | H1020-1055-12-1 | PLATE,35×575 ×4       | A112-0140 | 1   |





| INDEX NO. | PART NO.      | DESCRIPTION           | UNIT NO.  | QTY |
|-----------|---------------|-----------------------|-----------|-----|
| -1        | 112-0030-01   | COVER                 | A112-0140 | 1   |
| -2        | C5010-080101  | BOLT,socket-head,6×10 | A112-0140 | 4   |
| -3        | C5150-000061  | WASHER,6              | A112-0140 | 4   |
| -4        | 112-0030-02   | COVER                 | A112-0140 | 1   |
| -5        | C5010-080101  | BOLT,socket-head,6×10 | A112-0140 | 4   |
| -6        | C5150-000061  | WASHER,6              | A112-0140 | 4   |
| -7        | 112-0030-04-3 | COVER                 | A112-0140 | 1   |
| -8        | C5010-080101  | BOLT,socket-head,6×10 | A112-0140 | 8   |
| -9        | C5150-000061  | WASHER,6              | A112-0140 | 8   |
| -10       | 112-0030-05-2 | COVER                 | A112-0140 | 1   |
| -11       | C5010-080101  | BOLT,socket-head,6×10 | A112-0140 | 8   |
| -12       | C5150-000061  | WASHER,6              | A112-0140 | 8   |
| -13       | H1020-1054-92 | WIPER, 160×175 ×3     | A112-0140 | 1   |
| -14       | H1020-1054-93 | WIPER, 50×67×2        | A112-0140 | 1   |
| -15       | H1090-1002-90 | BRUSH, KOWA L260      | A112-0140 | 1   |
| -16       | 112-0031-20   | COVER                 | A112-0140 | 1   |
| -17       | C5010-080141  | BOLT,socket-head,6×14 | A112-0140 | 4   |
| -18       | C5040-006101  | SCREW,pan-head,6×10   | A112-0140 | 2   |
| -19       | C5150-000061  | WASHER,6              | A112-0140 | 6   |
| -20       | 112-0031-24-1 | COVER                 | A112-0140 | 1   |
| -21       | C5040-006101  | SCREW,pan-head,6×10   | A112-0140 | 5   |
| -22       | C5150-000061  | WASHER,6              | A112-0140 | 3   |
| -23       | 112-0032-01-2 | COVER                 | A112-0140 | 1   |
| -24       | C5010-080101  | BOLT,socket-head,6×10 | A112-0140 | 4   |
| -25       | C5150-000061  | WASHER,6              | A112-0140 | 4   |
| -26       | 112-0038-01-2 | DUCT                  | A112-0140 | 1   |
| -27       | C5010-080161  | BOLT,socket-head,8×16 | A112-0140 | 4   |
| -28       | 112-0038-02-4 | DUCT                  | A112-0140 | 1   |
| -29       | C5000-160301  | BOLT, 16×30           | A112-0140 | 4   |
| -30       | 112-0038-03-2 | SUPPORT               | A112-0140 | 1   |
| -31       | C5010-080161  | BOLT,socket-head,8×16 | A112-0140 | 8   |
| -32       | 112-0038-05-1 | SUPPORT               | A112-0140 | 1   |
| -33       | C5010-080121  | BOLT,socket-head,6×12 | A112-0140 | 4   |
| -34       | 112-0038-06-2 | SUPPORT               | A112-0140 | 1   |
| -35       | C5000-080161  | BOLT,8×16             | A112-0140 | 3   |
| -36       | 112-0038-08-1 | COVER                 | A112-0140 | 1   |
| -37       | C5040-006081  | SCREW,pan-head,6×8    | A112-0140 | 4   |
| -38       | C5140-000061  | WASHER, polished,6    | A112-0140 | 4   |
| -39       | 112-0038-09   | COVER                 | A112-0140 | 1   |
| -40       | C5040-006081  | SCREW,pan-head,6×8    | A112-0140 | 6   |
| -41       | C5140-000061  | WASHER, polished,6    | A112-0140 | 6   |
| -42       | 112-0038-14   | SUPPORT               | A112-0140 | 1   |
| -43       | C5010-080121  | BOLT,socket-head,8×12 | A112-0140 | 4   |
| -44       | 112-0038-17   | COVER                 | A112-0140 | 2   |
| -45       | C5040-006081  | SCREW,pan-head,6×8    | A112-0140 | 8   |
| -46       | 112-0340-13   | COVER                 | A112-0140 | 1   |
| -47       | 122-0031-53-1 | CONDUIT PIPE          | A112-0140 | 1   |
| -48       | C5010-080121  | BOLT,socket-head,8×12 | A112-0140 | 8   |
| -49       | 112-0031-54   | SUPPORT               | A112-0140 | 1   |

| INDEX NO. | PART NO.        | DESCRIPTION           | UNIT NO.  | QTY |
|-----------|-----------------|-----------------------|-----------|-----|
| -50       | C5010-080101    | BOLT,socket-head,6×10 | A112-0140 | 3   |
| -51       | 5140-000061     | WASHER, polished,6    | A112-0140 | 3   |
| -52       | 112-6100-01     | COVER                 | A112-0144 | 1   |
| -53       | C5010-080121    | BOLT,socket-head,6×12 |           | 1   |
| -54       | C5020-080201    | T-BOLT,6×20           |           | 1   |
| -55       | C5138-000061    | NUT,wing,6            |           | 1   |
| -56       | 112-6100-02     | COVER                 |           | 1   |
| -57       | 112-0000-12-1   | SUPPORT               | A112-0000 | 1   |
| -58       | C5010-080161    | BOLT,socket-head,8×16 | A112-0000 | 6   |
| -59       | C5140-000081    | WASHER, polished,8    | A112-0000 | 6   |
| -60       | 112-0030-03     | SUPPORT               | A112-0000 | 1   |
| -61       | C5010-080121    | BOLT,socket-head,6×12 | A112-0000 | 2   |
| -62       | 112-0030-06     | SUPPORT               | A112-0000 | 1   |
| -63       | C5010-080101    | BOLT,socket-head,6×10 | A112-0000 | 1   |
| -64       | C5140-000061    | WASHER, polished      | A112-0000 | 2   |
| -65       | 112-0031-21-1   | COVER                 | A112-0000 | 1   |
| -66       | C5040-006081    | SCREW,pan-head,6×8    | A112-0000 | 4   |
| -67       | 112-0031-22     | PLATE                 | A112-0000 | 1   |
| -68       | C5040-006081    | SCREW,pan-head,6×8    | A112-0000 | 4   |
| -69       | C5140-000061    | WASHER, polished,6    | A112-0000 | 2   |
| -70       | 112-0031-23     | PLATE                 | A112-0000 | 1   |
| -71       | 112-0031-25     | PLATE                 | A112-0000 | 1   |
| -72       | C5000-080101    | BOLT,6×10             | A112-0000 | 1   |
| -73       | C5040-006101    | SCREW,pan-head,6×10   | A112-0000 | 3   |
| -74       | 112-0031-26     | PLATE                 | A112-0000 | 1   |
| -75       | 120-0501-08     | SUPPORT               | A112-0000 | 1   |
| -76       | C5010-080101    | BOLT,socket-head,6×10 | A112-0000 | 2   |
| -77       | C5140-000061    | WASHER, polished,6    | A112-0000 | 2   |
| -78       | H1020-1054-97-1 | COVER, 100×150 ×2     | A112-0142 | 1   |
| -79       | 112-0400-36-3   | DUCT                  | A112-0142 | 1   |
| -80       | C5010-080161    | BOLT,socket-head,8×16 | A112-0142 | 4   |
| -81       | 112-0400-37-1   | PLATE                 | A112-0142 | 1   |
| -82       | C5010-080101    | BOLT,socket-head,6×10 | A112-0142 | 2   |
| -83       | 112-0400-38-1   | BAND                  | A112-0142 | 1   |
| -84       | C5100-000051    | NUT,hex,#3,5          | A112-0142 | 4   |
| -85       | 112-0400-67     | SUPPORT               | A112-0142 | 1   |
| -86       | C5010-080101    | BOLT,socket-head,6×10 | A112-0142 | 1   |
| -87       | 112-0400-78     | SUPPORT               | A112-0142 | 1   |
| -88       | C5010-080161    | BOLT,socket-head,8×16 | A112-0142 | 2   |
| -89       | 112-0038-10-1   | COVER                 | A112-0142 | 1   |
| -90       | C5040-006081    | SCREW,pan-head,6×8    | A112-0142 | 3   |
| -91       | 112-0038-11-2   | COVER                 | A112-0142 | 1   |
| -92       | C5040-006081    | SCREW,pan-head,6×8    | A112-0142 | 3   |
| -93       | 112-0038-15     | DUCT                  |           |     |





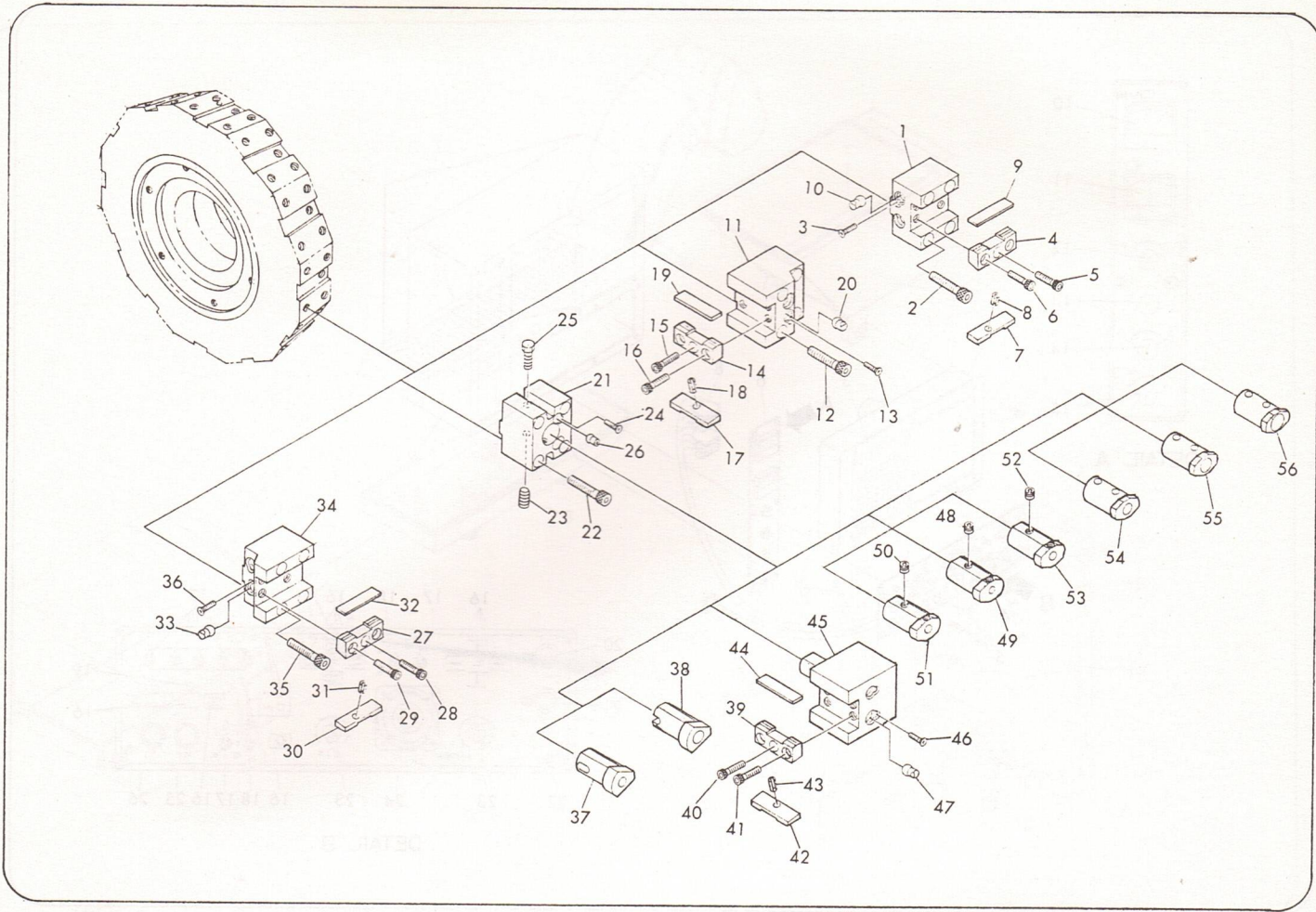












| INDEX NO. | PART NO.      | DESCRIPTION             | UNIT NO.  | QTY |
|-----------|---------------|-------------------------|-----------|-----|
| -1        | 112-8300-01-4 | HOLDER                  | A112-6000 | 1   |
| -2        | C5010-100501  | BOLT,socket-head, 10×50 | A112-6000 | 4   |
| -3        | C5050-005121  | SCREW,pan-head,5×12     | A112-6000 | 2   |
| -4        | 112-8300-04-3 | PLATE,presser           | A112-6000 | 1   |
| -5        | C5010-080161  | BOLT,socket-head,8×16   | A112-6000 | 1   |
| -6        | C5010-080201  | BOLT,socket-head,8×20   | A112-6000 | 2   |
| -7        | 112-8300-05-1 | PIVOT BLOCK             | A112-6000 | 1   |
| -8        | D5211-030080  | W PIN,spring,3×8        | A112-6000 | 1   |
| -9        | 112-8300-06-1 | PLATE                   | A112-6000 | 1   |
| -10       | 112-8300-09   | NOZZLE                  | A112-6000 | 2   |
| -11       | 112-8300-01-4 | HOLDER                  | A112-6001 | 1   |
| -12       | C5010-100501  | BOLT,socket-head, 10×50 | A112-6001 | 4   |
| -13       | C5050-005121  | SCREW,pan-head,5×12     | A112-6001 | 2   |
| -14       | 112-8300-04-3 | PLATE,presser           | A112-6001 | 1   |
| -15       | C5010-080161  | BOLT,socket-head,8×16   | A112-6001 | 1   |
| -16       | C5010-080201  | BOLT,socket-head,8×20   | A112-6001 | 2   |
| -17       | 112-8300-05-1 | PIVOT BLOCK             | A112-6001 | 1   |
| -18       | D5211-030080  | W PIN,spring,3×8        | A112-6001 | 1   |
| -19       | 112-8300-06-1 | PLATE                   | A112-6001 | 1   |
| -20       | 112-8300-09   | NOZZLE                  | A112-6001 | 2   |
| -21       | 112-8300-03-5 | HOLDER                  | A112-6002 | 1   |
| -22       | C5010-100501  | BOLT,socket-head, 10×50 | A112-6002 | 4   |
| -23       | C5035-010161  | SET-SCREW,10×16         | A112-6002 | 2   |
| -24       | C5050-005121  | SCREW,pan-head,5×12     | A112-6002 | 2   |
| -25       | 112-8300-34   | BOLT                    | A112-6002 | 2   |
| -26       | 117-8831-40   | PIVOT BLOCK             | A112-6002 | 2   |
| -27       | 112-8300-04-3 | PLATE,presser           | A112-6003 | 1   |
| -28       | C5010-080161  | BOLT,socket-head,8×16   | A112-6003 | 1   |
| -29       | C5010-080201  | BOLT,socket-head,8×20   | A112-6003 | 2   |
| -30       | 112-8300-05-1 | PIVOT BLOCK             | A112-6003 | 1   |
| -31       | D5211-030080  | W PIN,spring,3×8        | A112-6003 | 1   |
| -32       | 112-8300-06-1 | PLATE                   | A112-6003 | 1   |
| -33       | 112-8300-09   | NOZZLE                  | A112-6003 | 2   |
| -34       | 112-8300-10-4 | HOLDER                  | A112-6003 | 1   |
| -35       | C5010-100501  | BOLT,socket-head, 10×50 | A112-6003 | 4   |
| -36       | C5050-005121  | SCREW,flat-head, 5×12   | A112-6003 | 2   |
| -37       | 112-8320-04-3 | DRILL SLEEVE MT1        | A112-6005 | 1   |
| -38       | 112-8320-05-4 | DRILL SLEEVE MT2        | A112-6006 | 1   |
| -39       | 112-8300-04-3 | PLATE,presser           | A112-6009 | 1   |
| -40       | C5010-080161  | BOLT,socket-head,8×16   | A112-6009 | 1   |
| -41       | C5010-080201  | BOLT,socket-head,8×20   | A112-6009 | 2   |

| INDEX NO. | PART NO.      | DESCRIPTION           | UNIT NO.  | QTY |
|-----------|---------------|-----------------------|-----------|-----|
| -42       | 112-8300-05-1 | PIVOT BLOCK           | A112-6009 | 1   |
| -43       | D5211-030080  | W PIN,spring,3×8      | A112-6009 | 1   |
| -44       | 112-8300-06-1 | PLATE                 | A112-6009 | 1   |
| -45       | 112-8300-07-4 | HOLDER                | A112-6009 | 1   |
| -46       | C5050-005121  | SCREW,flat-head, 5×12 | A112-6009 | 2   |
| -47       | 112-8300-09   | NOZZLE                | A112-6009 | 2   |
| -48       | H1001-1000-24 | BOLT,M10×8            | A112-6010 | 2   |
| -49       | 112-8320-06-2 | SLEEVE(8)             | A112-6010 | 1   |
| -50       | H1001-1000-24 | BOLT,M10×8            | A112-6011 | 2   |
| -51       | 112-8320-07-2 | SLEEVE(10)            | A112-6011 | 1   |
| -52       | H1001-1000-24 | BOLT,M10×8            | A112-6012 | 2   |
| -53       | 112-8320-08-2 | SLEEVE(12)            | A112-6012 | 1   |
| -54       | 112-8320-03-3 | SLEEVE                | A112-6013 | 1   |
| -55       | 112-8320-02-3 | SLEEVE                | A112-6014 | 1   |
| -56       | 112-8320-01-3 | SLEEVE                | A112-6015 | 1   |











*Your Single Source  
For Machine & Control*

**OKUMA**

**OKUMA MACHINERY WORKS LTD.**

OGUCHI-CHO, NIWA-GUN, AICHI 480-01, JAPAN  
Phone: (05879)5-7111 Telex: 4573-310 OKUMA J  
Cable: OKUMATEKKO

Scanned by PAUL  
Juli 2024  
Pijnacker  
Holland